



INSTALLATION-OPERATION-MAINTENANCE FOR RTD (RESISTANCE TEMPERATURE DETECTOR)

Handling:

There are many variations of RTD's and RTD assemblies. Even though some may appear to have heavy duty protecting tubes or thermowells, the internal parts can be delicate. Care in handling is a must to insure the sensor integrity. **DO NOT DROP.** RTD's are carefully packed at the factory. Inspect the package for indications of shipping damage. If shipping damage is noticed report it immediately to the shipping company and make the necessary reports. WIKAI Instruments Ltd. ships on a FOB factory basis therefore it is your responsibility to file any claims. Hidden shipping damage can occur (no evident sign of mishandling). If after carefully opening the package, damage is discovered save all product and shipping material. Notify and file the proper claims with the shipping company immediately.

Storage:

Store in a dry, clean place. Avoid areas where dropping or stacking may occur.

Location:

The RTD should SEE , as close as possible, what the product in the process is experiencing in order to get meaningful temperature measurements. Locate the RTD as close to the product as possible. A rule of thumb is to have at least 10 tube diameters immersion in the hot zone. Avoid direct flame impingement or stagnant areas.

Installation:

DO NOT ATTEMPT to mechanically connect the assembly in the process by tightening at the terminal or connection head. **USE ONLY THE PROCESS FITTING OR THE THERMOWELL FLATS FOR THIS PURPOSE.** Terminals or connection heads that are twisted can be damaged or cause short circuits that can adversely affect the operation of the RTD. **DO NOT BEND THE RTD ELEMENT** (within six inches of the end sheath). Bending will break the element that is in the metal sheath and the sensor will be rendered inoperative. If the thermowell or protection tube must be welded into the process, carefully remove RTD sensor before welding and be sure to handle carefully. Keep clean and replace without forcing or stressing any components.

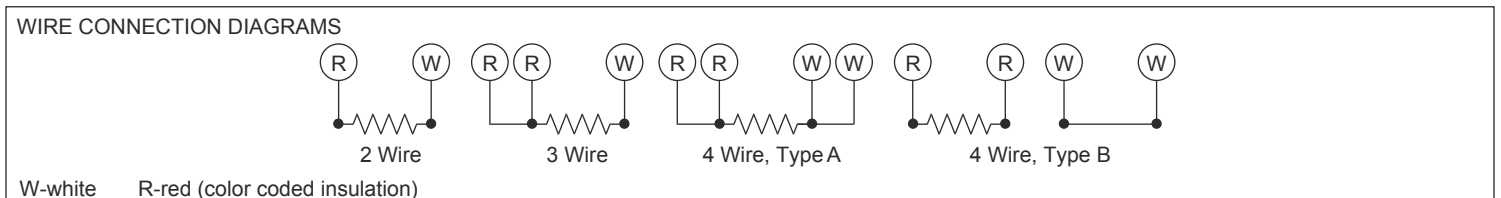
Wire Extension:

See general operation parameters and job wiring diagrams.

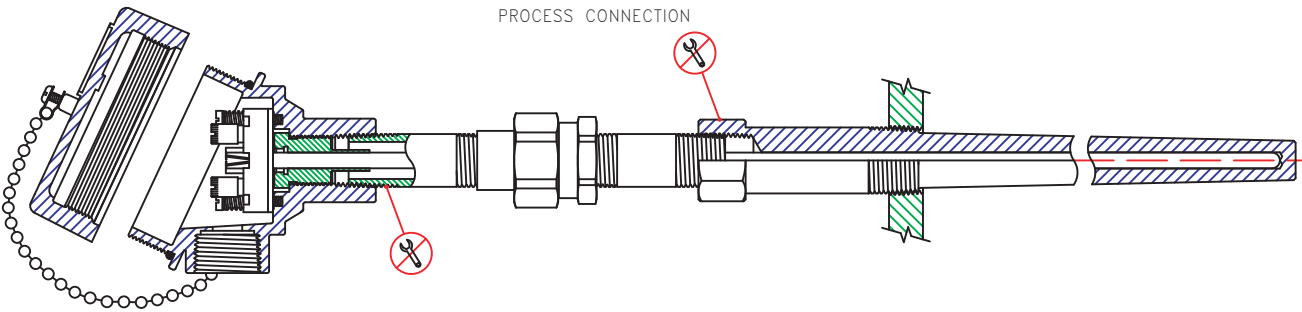
Maintenance:

Regularly scheduled maintenance procedures should include inspection and calibration intervals so that life and reliability of the instrumentation is improved and the likelihood of sudden serious failure is reduced. These procedures should be set up by the responsible engineering department and performed by personal that are familiar with the operating principles upon which the system is based. **DO NOT LUBRICATE.**

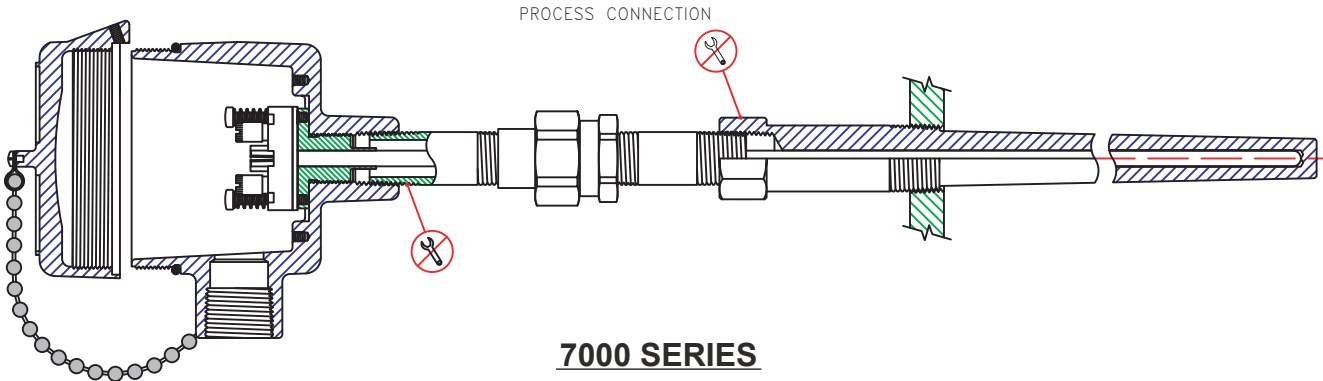
SEE PAGE 2 FOR ASSEMBLY EXAMPLES.



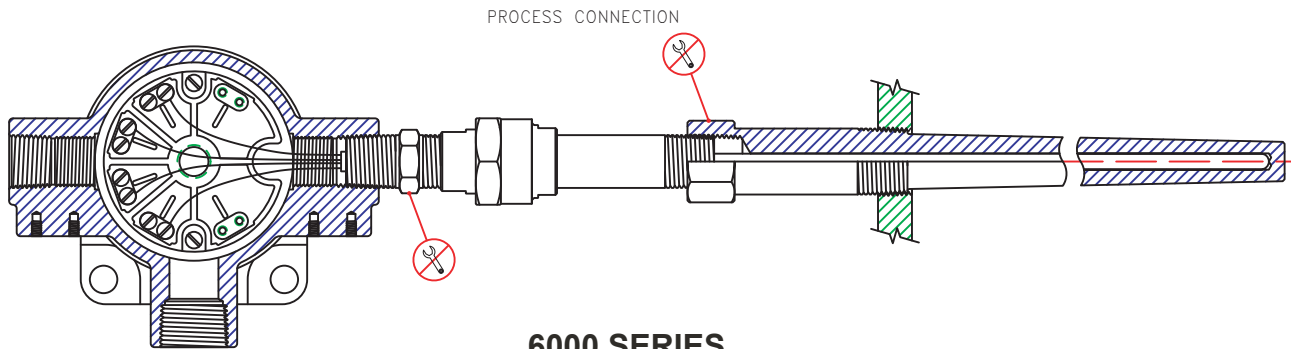
**INSTALLATION-OPERATION-MAINTENANCE
 FOR RTD (RESISTANCE TEMPERATURE DETECTOR)**



4000 SERIES



7000 SERIES



6000 SERIES

