

# Bourdon Tube Pressure Gauges Ultra High Purity (UHP) Series Type 230.25 with 851 Series Alarm Contacts

WIKA Datasheet 230.25 w/Alarm Contacts 851.3(3)

## Applications

- Semiconductor and electronic industry, medical industry, gene technology, biotechnology and pharmaceutical industries.
- Suitable for corrosive environments and gaseous or liquid media that will not obstruct the pressure system
- Where measurement of high purity gases is needed without contamination of the process media.

## Special Features

- Electrical contact with up to 2 SPDT Reed Switches
- Field configurable
- 316L SS and 316L SS VIM/VAR wetted parts
- Electropolished stainless steel case & face-seal connection
- Positive and compound pressure ranges to 5000 psi

## Standard Features

### Design

ASME B40.100

### Size

2" (50 mm)

### Accuracy Class

**Gauge:**  $\pm 2/1/2\%$  of span (ASME B40.100 Grade A)

**Switch:**  $\pm 5\%$  of span at Switch Point

### Ranges

Vacuum / compound to 30"Hg/0/300 psi

Pressure from 60 psi up to 5000 psi

or other equivalent units of pressure or vacuum

60 psi minimum span

### Working Pressure

Steady:  $\frac{3}{4}$  full-scale value

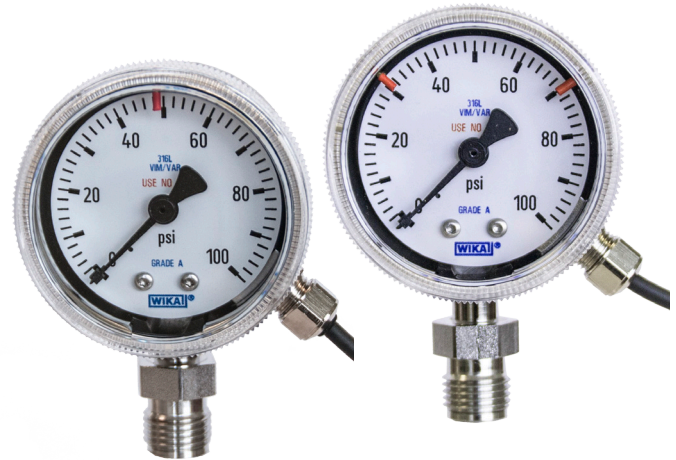
Fluctuating:  $\frac{2}{3}$  full-scale value

Short time: full-scale value

### Operating Temperature

Ambient: -40°F to +140°F (-40°C to +60°C)

Medium: +212°F (+100°C) maximum



Bourdon Tube Pressure Gauge Model 230.25 2" with Dual Switch

### Temperature Error

Additional error when temperature changes from reference temperature of 68°F (20°C)  $\pm 0.4\%$  for every 18°F (10°C) rising or falling. Percentage of span.

### Weather Protection

Weather resistant (NEMA 3 / IP 54)

### Pressure Connection

Material: Face-seal nut, 316 SS, UNS S20161

Face-seal gland 316L SS VOD or VIM/VAR

Position: Lower mount (LM)

Center back mount (CBM)

Type of Connection: Face-seal fixed male, swivel male or female

Wetted Surface Finish:  $R_a < 0.25\mu\text{m}$  ( $R_a < 10\mu\text{inch}$ )

### Bourdon Tube

Material: 316L SS

30"Hg (vac) to 5000 psi, C-type

Helium leak tested  $1 \times 10^{-9}$  scc/sec (inboard)

### Socket

Material: 316L VIM/VAR electropolished

$R_a < 0.25\mu\text{m}$  ( $R_a < 10\mu\text{inch}$ ) - internal

### Movement

Stainless steel

(Standard Features continued on Page 2 of 4)

### Dial

White aluminum with stop pin and black lettering

### Pointer

Black aluminum

### Case

304 SS, electropolished

### Window

Polycarbonate: twist-lock

### Alarm contact

- Reed contact Model 851.XX; The switching function is identified by the index '3'. 851.3 = One SPDT contact. 851.33 = Two SPDT contacts
- Setting the switching point  
In order to adjust the switching point, the gauge should be disconnected from the monitoring device and the window unscrewed.  
The switches are set via the mark pointer(s) on the dial's circumference. The set value of the switching point is adjustable up to 80 % of the scale range, 15% from low end and 5% from high end of scale.
- Electrical load
  - Max. switching voltage: 24 VDC / VAC
  - Max. load: 10 W
  - Max. current: 0.5 A
- Electrical connection with cable gland  
M8 x 1.25, cable output 3 m long (10'), conductor cross section 0.14 mm<sup>2</sup> (26 AWG), flying leads, the terminal assignment is stated on the pressure gauge's connection plate

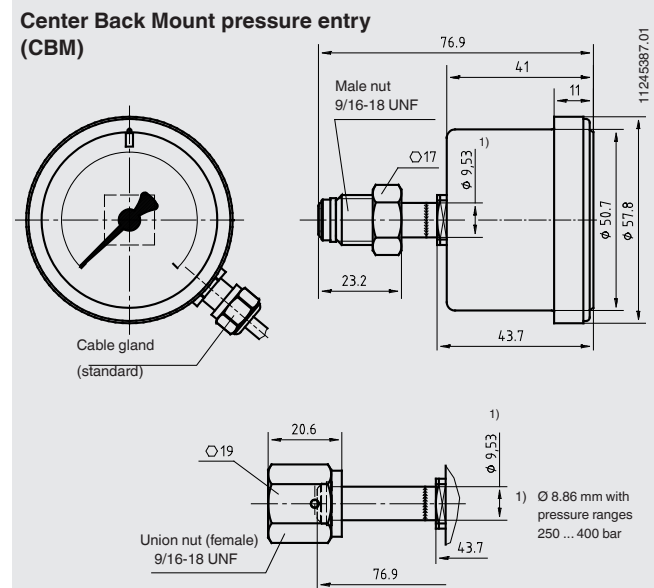
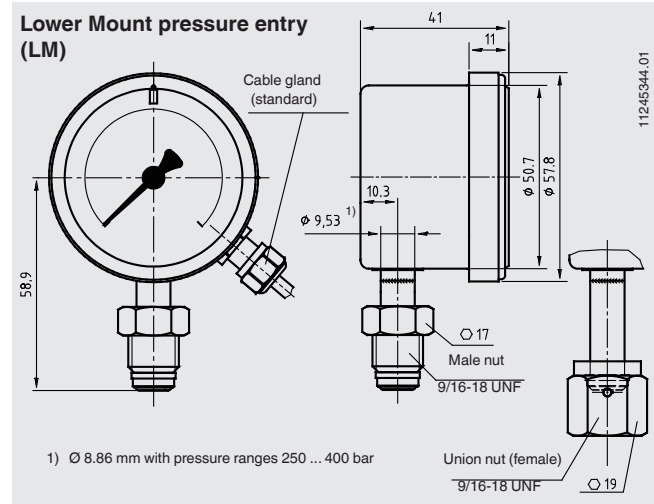
### Cleanliness

UHP 'clean' for semiconductor gas applications  
- in accordance with SEMI/SEMATECH  
Cleaned and packed in class 100/10 cleanroom  
Packaged in two bags  
Purged with Nitrogen  
Protective cap over threaded connection

### Order Options (minimum order may apply)

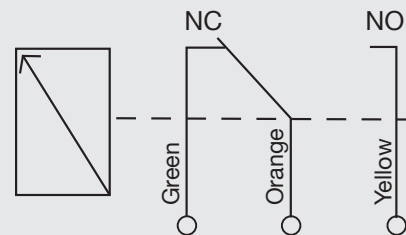
Custom dial layout  
Dual pressure scales  
Optional Materials for Male / Female Face-seal Nuts - 316 SS, UNS S20161

### Standard version

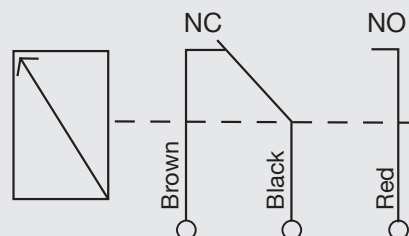


### Wiring Diagram

#### High Pressure Switch (SP2)



#### Low or Single Pressure Switch (SP1)



<b>Case</b>	304 SS, electropolished
<b>Wetted Material</b>	316L and 316L VIM/VAR SS
<b>Window</b>	Polycarbonate
<b>Dial</b>	Aluminum, white with stop pin
<b>Pointer</b>	Aluminum black
<b>Accuracy</b>	+/- 2/1/2% of span (ASME B40.1 Grade A)
<b>Cleanliness</b>	UHP 'clean' for semiconductor gas applications - in accordance with SEMI/SEMATECH
<b>Packaging</b>	Double bagged, nitrogen purged

Field No.	Code	Feature
<b>1</b>		<b>Nominal Case Size</b>
	7	2.0" (50 mm)
<b>2</b>		<b>Primary (Outer) Scale</b>
	P	psi
	B	bar
	L	kPa
	E	MPa
	K	Kg/cm <sup>2</sup>
	S	Special pressure range
<b>3</b>		<b>Pressure Range</b>
	V340	-30 inHg ... 45 psi
	V352	-30 inHg ... 60 psi
	V379	-30 inHg ... 100 psi
	V412	-30 inHg ... 160 psi
	V415	-30 inHg ... 200 psi
	V422	-30 inHg ... 300 psi
	G341	0 ... 60 psi
	G369	0 ... 100 psi
	G410	0 ... 150 psi
	G411	0 ... 160 psi
	G414	0 ... 200 psi
	G417	0 ... 250 psi
	G421	0 ... 300 psi
	G428	0 ... 400 psi
	G434	0 ... 500 psi
	G441	0 ... 600 psi
G455	0 ... 800 psi	
G469	0 ... 1000 psi	
G510	0 ... 1500 psi	
G514	0 ... 2000 psi	
G521	0 ... 3000 psi	
G528	0 ... 4000 psi	
G534	0 ... 5000 psi	

Field No.	Code	Feature
<b>Secondary (Inner) Scale</b>		
4	Z	without
	P	psi
	B	bar
	L	kPa
	E	MPa
	K	Kg/cm <sup>2</sup>
	?	Special scale
<b>Process Connection</b>		
5	WH	¼" swivel male face seal (FSM)
	WI	¼" swivel female face seal (FSF)
	WG	¼" fixed male face seal (FSFM)
	NB	¼" NPT - male
	VN	¼" weld stub
	9F	¼" swivel female face seal, 9/16-18 UNF, UNS S20161 (FSF-GR)
	9M	¼" swivel male face seal, 9/16-18 UNF, UNS S20161 (FSM-GR)
	??	other - please specify
<b>Connector Position</b>		
6	B	Center back mount
	U	Lower mount
<b>Mounting Flange/Bracket</b>		
7	Z	Without
<b>Switch Type</b>		
8	R	Reed - Single contact (851.3) switch
	D	Reed - Dual contact (851.33) switch
<b>Electrical Connection</b>		
9	DA	Flying leads, 10' (3 meters)
<b>Approvals</b>		
10	Z	without
<b>Quality Certificates</b>		
11	Z	without
	2	Certificate 2.2 EN 10204
	3	Certificate 3.1 EN 10204
	A	2.2 and 3.1 certificates acc. EN 10204
<b>Additional Order Details</b>		
12*	Z	without
	T	Additional text*

Order Code:      1      2      3      4      5      6      7      8      9      10      11      12\*

**230.25** -  -  -  -  -  -  -

\*Additional order details \_\_\_\_\_



**WIKAI Instrument, LP**  
 1000 Wiegand Boulevard  
 Lawrenceville, GA 30043-5868  
 Tel: 888-WIKA-USA • 770-513-8200  
 Fax: 678-739-2569  
 E-Mail: UHP@wika.com  
 www.wika.com/UHP