

## TR15-2 Remote Mount Industrial RTD Assembly

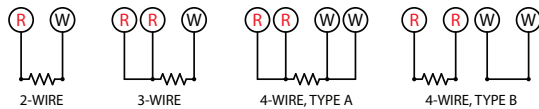
TR15 series resistance temperature detectors (RTDs) are remote mounted industrial assemblies supplied with or without a temperature transmitter. They are designed for applications where direct mounting is inaccessible, where there is excessive radiated or conducted heat, or applications where high vibrations exist.

An extensive range of elements, connection heads, insertion lengths and process connections can be individually selected for the appropriate application. Replacement sensors can also be configured for this model.

RTDs in this series can be inserted directly into a process or combined with a variety of thermowell designs.

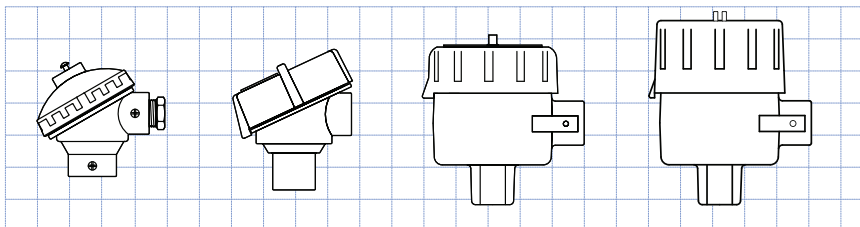
### Features:

- The sensor can be mounted into a thermowell for directly into a process with the use of a spring loaded or compression process fitting.
- The assembly has electrical approvals for explosion proof hazardous locations, ingress protection and general purpose areas.
- Electrical authorities that have registered these approvals include CSA and FM.
- The RTD sensor can be spring-loaded ensuring a positive contact to the required location.
- For applications that are exposed to outside weather conditions or where moisture is present, the flexible armour extension can be provided with a moisture-proof jacket of PTFE or PVC.



### Connection Heads

Imperial Grid 1" x 1"

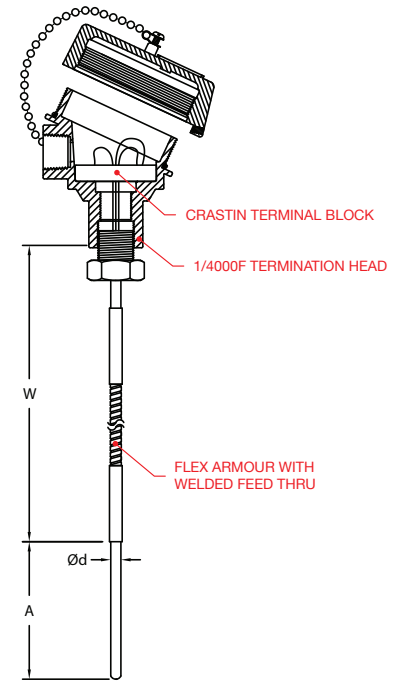


KN4-A  
KN4-P

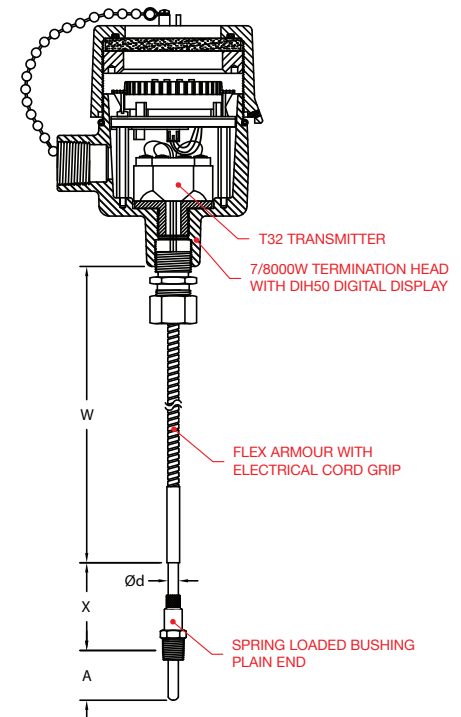
1/4000F  
1/4000S

7/8000W

7/8000W  
WITH DIGITAL DISPLAY



**RTD ASSEMBLY SAMPLE**  
TR15-2-0I-L1AW131FW-B003601ZZZZZ-CBKC1-P-00600-Z1



**RTD ASSEMBLY SAMPLE**  
TR15-2-0I-LDAW136FC-B006001JK0300-CBHC1-P-00600-Z1

# TR15-2-...

Create your product part number by selecting the appropriate assembly items from each of the categories below. Enter the item code into the applicable box to generate the part number.  
 Note: Some configurations are unavailable. Your WIKA sales representative will notify you if you have made an incorrect selection.

|   |   |   |   |   |   |   |   |   |    |    |    |    |    |    |    |    |    |    |    |    |  |
|---|---|---|---|---|---|---|---|---|----|----|----|----|----|----|----|----|----|----|----|----|--|
| 1 | 2 | 3 | 4 | 5 | 6 | 7 | 8 | 9 | 10 | 11 | 12 | 13 | 14 | 15 | 16 | 17 | 18 | 19 | 20 | 21 |  |
|   |   |   |   |   |   |   |   |   |    |    |    |    |    |    |    |    |    |    |    |    |  |

Part Number  
 TR15-2-XX-XXXXXXXXXX-  
 XXXXXXXXXXXXX-XXXXX-X-  
 XXXXX-X

|                                     |   |
|-------------------------------------|---|
| <b>1 Assembly description</b>       |   |
| Code                                |   |
| 0                                   | Industrial assembly configured  |
| 1                                   | Industrial sensor configured (no termination head)                    |
| <b>2 Unit of measure</b>            |   |
| I                                   | Imperial (inch)   |
| M                                   | Metric (mm)   |
| <b>3 Electrical approval</b>        |   |
| L                                   | CSA Ex-proof Class I Division 2                                       |
| M                                   | FM Ex-proof Class I Division 2  |
| Z                                   | Without   |
| <b>4 Connection head</b>            |   |
| 1AW                                 | 1/4000 F (Aluminum)   |
| 1SW                                 | 1/4000 S (Stainless steel)  |
| 7AW                                 | 7/8000 W (Aluminum)   |
| DAW                                 | 7/8000 W (Aluminum) with DIH50 Digital Display (Transmitter required) |
| KAW                                 | KN4-A (Aluminum)  |
| KPW                                 | KN4-P (Polypropylene)   |
| ZZZ                                 | Without   |
| <b>5 Instrument x Conduit entry</b> |   |
| 11                                  | 1/2 NPT x 1/2 NPT   |
| 13                                  | 1/2 NPT x 3/4 NPT   |
| 12                                  | 1/2 NPT x M20x1.5   |
| 31                                  | 3/4 NPT x 1/2 NPT (reducer)   |
| 33                                  | 3/4 NPT x 3/4 NPT   |
| 32                                  | 3/4 NPT x M20x1.5   |
| ZZ                                  | Without   |

|   |  |
|---|--|
| <b>6 Terminal block / Transmitter</b>       |  |
| 1   | Crastin terminal block                                       |
| 2   | Ceramic terminal block                                       |
| 5   | T15, Digital transmitter, 4...20mA, universally programmable |
| 6   | T32, Digital transmitter, HART®, universally programmable    |
| 9   | T53, Fieldbus transmitter, FOUNDATION Fieldbus, PROFIBUS® PA |
| B   | T91.10, Analogue transmitter, fixed measuring range          |
| Y   | Without  |
| <b>7 Neck extension</b>                     |  |
| FW  | Flex armour with welded feed thru                            |
| FC  | Flex armour with electrical cord grip                        |
| <b>8 Lead wire insulation</b>               |  |
| B   | Armoured PTFE, application range -50...+250 °C               |
| A   | Armoured Fiberglass, application range -50...+400 °C         |
| G   | PTFE Armour over PTFE, application range -50...+250 °C       |
| D   | PVC® Armour over PTFE, application range -50...+250 °C       |
| <b>9 W-Dimension (W) - Lead Wire Length</b> |  |
| ****  | Please specify (e.g. 84 mm = 00084) (e.g. 9.5 inch = 00095)  |
| <b>10 Termination</b>                       |  |
| 1   | Stripped leads   |
| 2   | Spade lugs (no termination head)                             |

|  |  |
|--|--|
| <b>11 Process fitting style</b>                    |  |
| J  | Spring loaded bushing (plain end bushing - SS)                                     |
| M  | Spring loaded bushing (double threaded bushing - SS)                               |
| K  | Spring loaded bushing with o-ring seal (double threaded bushing - SS) <sup>2</sup> |
| B  | Compression fitting with SS ferrule  |
| C  | Compression fitting with PTFE ferrule  |
| Z  | without  |
| <b>12 Process fitting thread size</b>              |  |
| K  | 1/2 NPT (male)   |
| J  | 3/4 NPT (male)   |
| W  | 1/8 NPT (male) - Compression fitting only  |
| N  | 1/4 NPT (male) - Compression fitting only  |
| Z  | Without  |
| <b>13 X-Dimension (X) - Process location start</b> |  |
| ****   | Please specify (e.g. 84 mm = 0084) (e.g. 9.5 inch = 0950)                          |
| <b>14 RTD Sensor</b>                               |  |
| D  | Pt100, class B (IEC 60751)   |
| C  | Pt100, class A (IEC 60751)   |
| F  | Pt100, 1/10 DIN of class B at 0°C  |
| E  | Pt10, class A (IEC 60751)  |
| A  | Cu10, class B  |
| B  | Ni120, class B   |
| K  | Pt1000, class B (IEC 60751)  |
| J  | Pt1000, class A (IEC 60751)  |
| M  | Pt100, class AA (IEC 60751)  |
| <b>15 Wiring configuration</b>                     |  |
| A  | Single 2-wire  |
| B  | Single 3-wire  |
| C  | Single 4-wire  |
| D  | Single 4B-wire   |

|   |   |
|---|---|
| <b>E</b>  | Dual 2-wire   |
| <b>F</b>  | Dual 3-wire   |
| <b>G</b>  | Dual 4-wire   |
| <b>H</b>  | Dual 4B-wire  |
| <b>16 Temperature range</b>                         |   |
| K   | -50...+250 °C, thin film                                    |
| A   | -50...+500 °C, thin film                                    |
| M   | -196...+250 °C, wire wound                                  |
| T   | -196...+450 °C, wire wound                                  |
| H   | -196...+600 °C, wire wound                                  |
| Q   | 0...+750 °C, wire wound                                     |
| G   | 0...+150 °C, thin film                                      |
| <b>17 Tip Construction</b>                          |   |
| C   | General Purpose   |
| F   | Fast response (copper tip)                                  |
| <b>18 Sensor diameter</b>                           |   |
| 1   | 1/4 inch / 0.250 inch (6.35 mm)                             |
| 2   | 1/8 inch / 0.125 inch (3.17 mm)                             |
| 3   | 0.215 inch (5.46 mm)  |
| 4   | 3/16 inch / 0.188 inch (4.75 mm)                            |
| 8   | 3/8 inch / 0.375 inch (9.53 mm)                             |
| D   | 6.0 mm (0.235 inch)   |
| <b>19 Sheath material</b>                           |   |
| P   | Stainless steel 316 / 316 L (1.4401 / 1.4435)               |
| J   | Inconel® 600 (2.4816)                                       |
| <b>20 A-Dimension (A) - Sensor Insertion Length</b> |   |
| ****  | Please specify (e.g. 84 mm = 00084) (e.g. 9.5 inch = 00950) |
| <b>21 Certificates</b>                              |   |
| 1   | Yes <sup>1</sup>  |
| Z   | Without   |

Notes:

<sup>1</sup>See Data Sheet CERT.31 for certificate options and details.

<sup>2</sup>Rated to 100 psi @ 86°C, hydrostatic tested in H<sub>2</sub>O