

# Bourdon Tube Pressure Gauges

## Stainless Steel Refrigeration Ammonia Gauge

### Type 232.53AM - Dry Case

### Type 233.53AM - Liquid-filled Case

WIKA Datasheet 23X.53AM

#### Applications

- Measuring refrigerant ammonia pressure and temperature
- Suitable for corrosive environments and gaseous or liquid media that will not obstruct the pressure system
- Process industry: chemical/petrochemical, power stations, mining, on and offshore, environmental technology, mechanical engineering and plant construction

#### Product features

- Excellent load-cycle stability and shock resistance
- All stainless steel construction
- Ammonia refrigerant scales on dial



#### Specifications

##### Design

ASME B40.100 & EN 837-1

##### Sizes

2½" & 4" (63 and 100 mm)

##### Accuracy class

2½": ± 2/1/2% of span (ASME B40.100 Grade A)

4": ± 1.0% of span (ASME B40.100 Grade 1A)

##### Ranges

30" Hg / 0 / 150 psi (84°F)

30" Hg / 0 / 300 psi (126°F)

##### Working pressure

2½": Steady: 3/4 scale value

Fluctuating: 2/3 full scale value

Short time: full scale value

4": Steady: full scale value

Fluctuating: 0.9 x full scale value

Short time: 1.3 x full scale value

##### Operating temperature

Ambient: -40°F to +140°F (-40°C to +60°C) - dry

-4°F to +140°F (-20°C to +60°C) - glycerine filled

-40°F to +140°F (-40°C to +60°C) - silicone filled

Medium: +212°F (+100°C)

##### Temperature error

Additional error when temperature changes from reference temperature of 68°F (20°C) ±0.4% of span for every 18°F (10°K) rising or falling.

##### Weather protection

Weather tight (NEMA 4X / IP66)

##### Pressure connection

Material: 316L stainless steel

1/4" NPT, lower mount (LM)

##### Bourdon tube

Material: 316L stainless steel

C-shape

##### Movement

Stainless steel

##### Dial

White aluminum with black and red lettering, 2½" with stop pin

##### Pointer

Black aluminum

**Case**

304 stainless steel with vent plug and SS crimp ring.  
Case welded to socket

**Case fill**

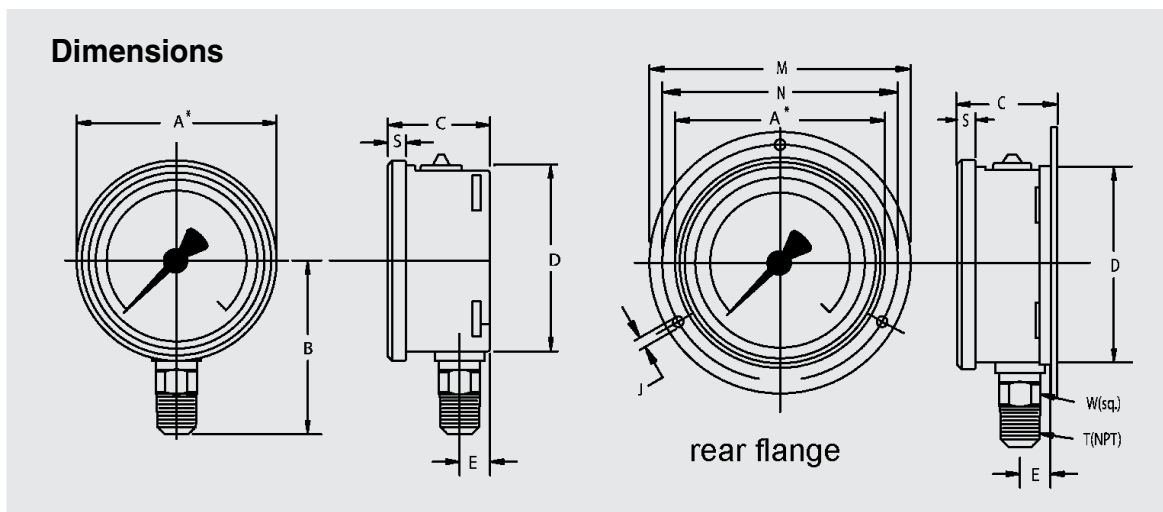
Glycerine 99.7% - Type 233.53AM

**Window**

Polycarbonate

**Optional extras**

- SS restrictor
- SS rear flange
- Clean for oxygen service
- Red drag pointer for mark pointer
- Other pressure connections
- Silicone or Halocarbon Oil case filling

**Dimensions**

Size		A	B	C	D	E	J	L	M	N	S	T	W	Weight <sup>1</sup>
2.5"	mm	69	54	32	62	13	3.6	7.5	85	75	6.5		14	0.36 lb. dry
	in	2.69	2.13	1.26	2.45	0.51	0.14	0.30	3.35	2.95	0.26	1/4"	0.55	0.44 lb. filled
4"	mm	107	87	48	100	15.5	4.8	9	132	116	8		22	1.10 lb. dry
	in	4.21	3.43	1.89	3.91	0.61	0.19	0.35	5.20	4.57	0.31	1/2"	0.87	1.76 lb. filled

<sup>1</sup> Weight is without optional accessories

**Ordering information**

Pressure gauge model / Nominal size / Scale range / Size of connection / Optional extras required  
Specifications and dimensions given in this leaflet represent the state of engineering at the time of printing.  
Modifications may take place and materials specified may be replaced by others without prior notice.

**WIKA Instrument Corporation**

1000 Wiegand Boulevard  
Lawrenceville, GA 30043  
Tel (770) 513-8200 Toll-free 1-888-WIKA-USA  
Fax (770) 338-5118  
E-Mail info@wika.com  
www.wika.com