

Wellhead Fixture for Pressure Transmitter and Gauge for Local and Remote Pressure Indication

WIKA Datasheet Wellhead Adapter

Applications

- Wellhead monitoring
- Natural gas compressors
- Pipeline pressure
- General industrial applications

Special Features

- Manufactured using NACE MR-01-75 compliant materials
- Rated for up to 10,000 psig
- Fixture meets both ASME and EN pressure test and leak test requirements
- Engineered to meet the harsh demands of upstream oil and gas pressure monitoring applications
- Compatible with most industrial and hazardous area transmitters and gauges

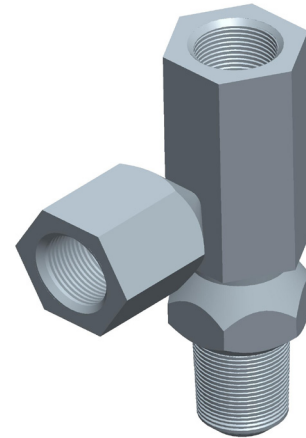
Description

The WIKA wellhead fixture provides a convenient, low-cost method of providing both local and remote pressure indication for a variety of applications. Depending on the selected combination of pressure gauge and transmitter, it is suitable for installation in hazardous areas including upstream oil and gas wellhead plunger lift controls. The stainless steel fixture is manufactured using NACE MR-01-75 compliant materials for improved resistance to sulfide stress cracking in sour gas applications.

The fixture can also be used in many industrial applications where both local and remote pressure monitoring is required at the same measurement point.

The fixture can be installed in a vertical or horizontal orientation. It is available in 1/2" female x 1/2" female x 1/2" NPT male or 1/4" female x 1/4" female x 1/4" NPT male.

Can be installed with ball valves and many other accessories to facilitate servicing and installation.



Stainless steel wellhead fixture.

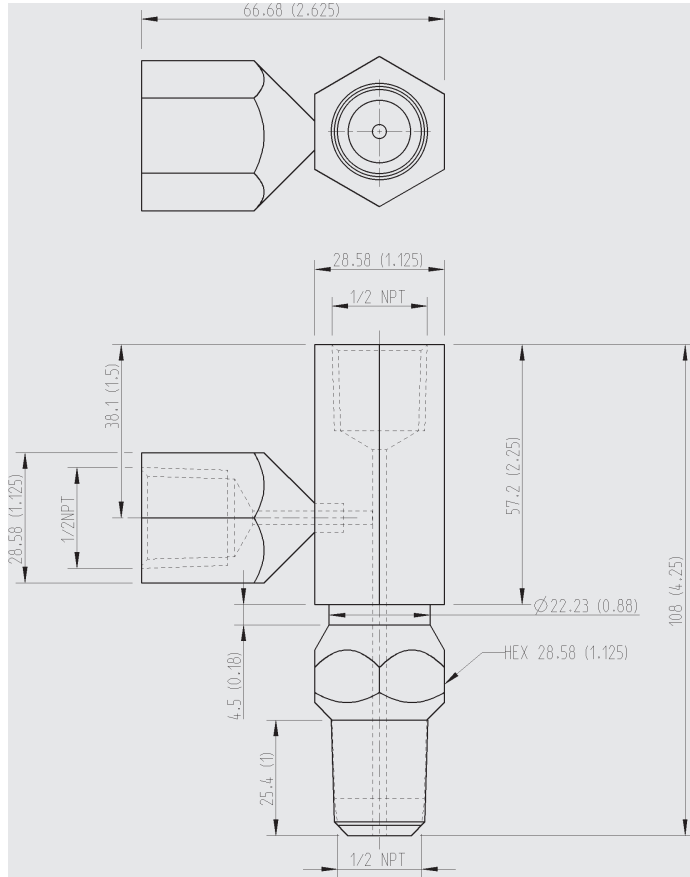


Left: Vertical mount with 232.53 stainless steel gauge and E-10 explosion proof pressure transmitter with cable.

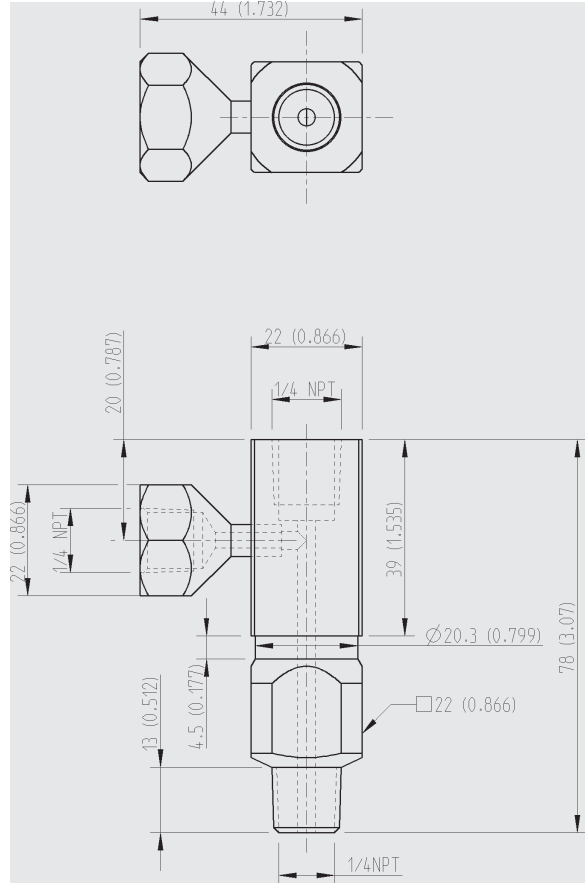
Right: Horizontal mount with 232.53 stainless steel gauge and E-10 explosion proof pressure transmitter with flying leads.

Dimensions

1/2" NPT



1/4" NPT



Part Numbers:

1/4 NPT	52175634
1/2 NPT	52175367

Specifications and dimensions given in this data sheet represent the state of engineering at the time of printing. Modifications may take place and materials specified may be replaced by others without prior notice.



WIKAI Instrument Corporation
 1000 Wiegand Boulevard
 Lawrenceville, GA 30043-5868
 Tel: 888-WIKA-USA • 770-513-8200
 Fax: 770-338-5118
 E-Mail: info@wika.com
 www.wika.com