

Pressure transmitter for medical gases

Model MG-1

WIKA data sheet PE 81.44

Applications

- Distribution and storage of medical gases
- Oxygen treatment for patients in hospitals, at home and in ambulances

Special features

- Measuring ranges from 0 ... 100 psi to 0 ... 5,000 psi (0 ... 6 to 0 ... 16 bar and from 0 ... 200 to 0 ... 400 bar)
- Output signals 4 ... 20 mA, DC 0 ... 10 V, DC 0 ... 5 V, DC 1 ... 5 V, DC 0.5 ... 4.5 V ratiometric
- Oxygen clean in accordance with international standards
- Available in four levels of cleanliness
- Three packaging variants



Pressure transmitter model MG-1

Description

The model MG-1 pressure transmitter has been developed for the measurement of pressure with medical gases and for oxygen applications. Only materials that are suitable for oxygen applications are used.

In order to ensure the required level of cleanliness, any contamination of the components during production is avoided. The model MG-1 is manufactured under controlled conditions, marked for use in oxygen applications and then packed with special care.

In line with international directives, different levels of cleanliness, different packaging and different instrument markings are available.

The model MG-1 pressure transmitter offers a solution which is optimised for your application.

Measuring ranges

Relative pressure							
bar	Measuring range	0 ... 6	0 ... 10	0 ... 16	0 ... 200	0 ... 300	0 ... 400
	Overpressure limit	20	20	32	500	800	800
	Burst pressure	25	25	160	1,200	1,700	1,700
psi	Measuring range	0 ... 100	0 ... 150	0 ... 200	0 ... 3,000	0 ... 4,000	0 ... 5,000
	Overpressure limit	290	290	460	7,200	11,000	11,000
	Burst pressure	1,450	1,450	2,300	17,000	24,000	24,000

The given measuring ranges are also available in kg/cm², MPa and kPa.

Vacuum and +/- measuring ranges are also available.

Vacuum resistance

Yes

Output signals

Signal type	Signal
Current (2-wire)	4 ... 20 mA
Voltage (3-wire)	DC 0 ... 10 V DC 0 ... 5 V DC 1 ... 5 V
Ratiometric (3-wire)	DC 0.5 ... 4.5 V

Depending on the signal the following loads apply:

Signal	Load in Ω
4 ... 20 mA	$\leq (\text{power supply} - 8 \text{ V}) / 0.02 \text{ A}$
DC 0 ... 10 V	$> \text{max. signal} / 1 \text{ mA}$
DC 0 ... 5 V	
DC 1 ... 5 V	
DC 0.5 ... 4.5 V ratiometric	

Accuracy

Accuracy at reference conditions

$\leq \pm 2 \%$ of span

Including non-linearity, hysteresis, zero offset and end value deviation (corresponds to measured error per IEC 61298-2). Calibrated in vertical mounting position with process connection facing downwards.

Non-linearity

≤ 0.5 (BFSL per IEC 61298-2)

Temperature error

$\leq \pm 2.0 \%$ of span

Long-term drift (per IEC 61298-2)

$\leq 0.3 \%$ of span/year

Settling time

$\leq 2 \text{ ms}$

Voltage supply

The permissible power supply depends on the corresponding output signal.

Output signal	Power supply
4 ... 20 mA	DC 8 ... 30 V
DC 0 ... 10 V	DC 14 ... 30 V
DC 0 ... 5 V	DC 8 ... 30 V
DC 1 ... 5 V	DC 8 ... 30 V
DC 0.5 ... 4.5 V ratiometric	DC $5 \pm 0.5 \text{ V}$

Total current consumption

maximum 10 mA (except for 2-wire signals)

Operating conditions

Ingress protection (per IEC 60529)

IP 67

The stated ingress protection only applies when plugged in using a mating connector that has the appropriate ingress protection.

Vibration resistance

20 g (20 ... 2,000 Hz, 2 h) per IEC 60068-2-6 (vibration under resonance)

Shock resistance

40 g (6 ms) per IEC 60068-2-27 (mechanical shock)

Temperatures

Permissible temperature ranges		
Rated temperature range	-20 ... +70 °C	-4 ... +158 °F
Ambient	-20 ... +70 °C	-4 ... +158 °F
Medium	-20 ... +70 °C	-4 ... +158 °F
Storage	-25 ... +80 °C	-13 ... +176 °F

Reference conditions (per IEC 61298-1)

Temperature

59 ... 77 °F (15 ... 25 °C)

Atmospheric pressure

12.5 ... 15.4 psi (860 ... 1,060 mbar)

Humidity

45 ... 75 % relative, non-condensing

Power supply

- DC 24 V
- DC 5 V with ratiometric output

Mounting position

as required

Process connections

Standard	Thread size
EN 837	G 1/8 B
	G 1/4 B
DIN 3852-E	G 1/4 A ¹⁾
ANSI/ASME B1.20.1	1/8 NPT
	1/4 NPT
ISO 7	R 1/4
KS	1/4 PT
SAE	7/16-20 UNF-2A, O-ring BOSS ¹⁾

1) Sealing ring from FKM

Electrical connections

Short-circuit resistance

S₊ vs. 0V


Reverse polarity protection

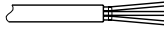
U_B vs. 0V

Insulation voltage

DC 500 V

Connection diagrams


Circular connector M12 x 1			
		2-wire	3-wire
	U _B	1	1
	0V	3	3
	S ₊	-	4

Cable outlet, unshielded			
		2-wire	3-wire
	U _B	brown	brown
	0V	green	green
	S ₊	-	white

Wire cross-section 3 x 0.14 mm²

Cable diameter 3.2 mm

Cable length 2 m

Cable outlet, shielded			
		2-wire	3-wire
	U _B	brown	brown
	0V	blue	blue
	S ₊	-	black

Wire cross-section 3 x 0.14 mm²

Cable diameter 4.3 mm

Cable length 2 m

Cleanliness specifications

Level of cleanliness	Measuring range < 30 bar/435 psi	Measuring range > 30 bar/435 psi
Breathing gas	Oil and grease free	Oil and grease free
■ Residual hydrocarbons	< 1,000 mg/m ²	< 1,000 mg/m ²
Medical standard	per ISO 15001	per ISO 15001
■ Residual hydrocarbons	< 550 mg/m ²	< 220 mg/m ²
■ Particle size	not applicable	on request
Industrial standard	Oil and grease free for oxygen per ASTM G93 level D/E and DIN 19247	Oil and grease free for oxygen per ASTM G93 level D/E and DIN 19247
■ Residual hydrocarbons	< 550 mg/m ²	< 220 mg/m ²
High industrial standard	Oil and grease free for oxygen per ASTM G93 level C	Oil and grease free for oxygen per ASTM G93 level C
■ Residual hydrocarbons	< 66 mg/m ²	< 66 mg/m ²

Packaging

For the individual levels of cleanliness of the model MG-1 the following types of packaging are available.

Level of cleanliness	Type of packaging
Breathing gas	Protection cap on the process connection
Medical standard	■ Standard: Protection cap on the process connection, instrument sealed in a plastic bag
Industrial standard	■ Option: Protection cap on the process connection, instrument sealed in two plastic bags
High industrial standard	

Materials

Wetted parts

- Process connection from stainless steel 316L and 13-8 PH
- Sealing ring from FKM (if available)

Non-wetted parts

- Case from stainless steel 316L
- Electrical connection from highly resistant, glass-fibre reinforced plastic PBT GF 30

Approvals, directives and certificates

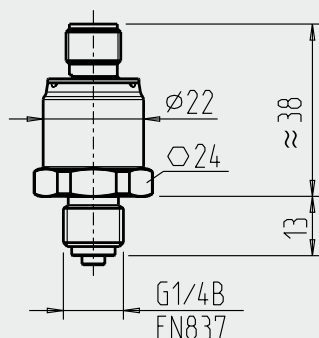
CE conformity

- EMC directive 2004/108/EC, EN 61326 emission (group 1, class B) and immunity (industrial application)
- Pressure equipment directive 97/23/EC

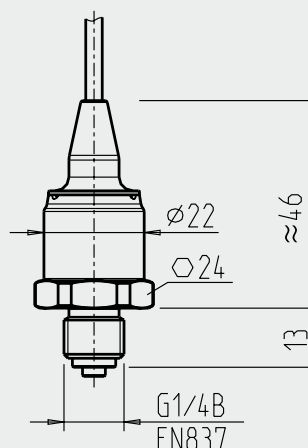
Dimensions in mm

Pressure transmitter

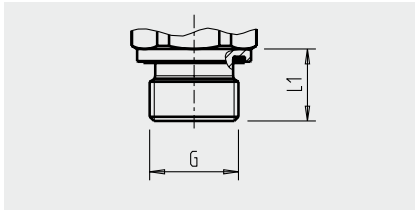
with M12 x 1 circular connector



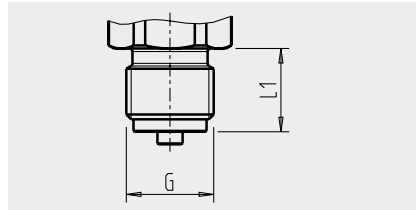
with cable outlet



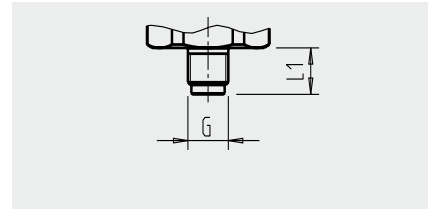
Process connections



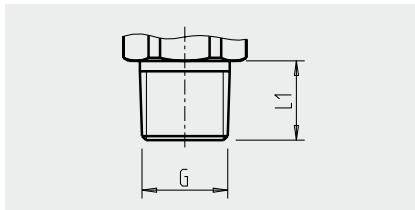
G	L1
G ¼ A DIN 3852-E	14



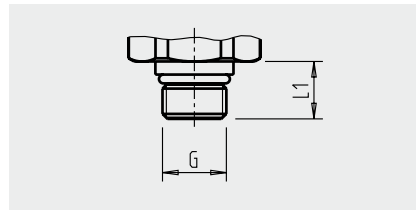
G	L1
G ¼ B EN 837	20



G	L1
G ⅝ EN 837	10



G	L1
⅛ NPT	10
¼ NPT	13
R ¼	13
PT ¼	13



G	L1
7/16-20 UNF BOSS	12.85

For information on tapped holes and welding sockets, see Technical Information IN 00.14 at www.wika.com.

Ordering information

Model / Measuring range / Output signal / Electrical connection / Process connection / Level of cleanliness / Type of packaging

© 2011 WIKA Alexander Wiegand SE & Co. KG, all rights reserved.
The specifications given in this document represent the state of engineering at the time of publishing.
We reserve the right to make modifications to the specifications and materials.



WIKAL Instrument Corporation
1000 Wiegand Boulevard
Lawrenceville, GA 30043-5868
Tel: 888-WIKA-USA • 770-513-8200
Fax: 770-338-5118
E-Mail: info@wika.com
www.wika.com