

# Low Pressure Differential Pressure Gauge Type A2G-05 - Economy Version

WIKA Datasheet A2G-05



## Applications

- For dry, clean, non-aggressive gases, air
- Monitoring of blowers and ventilators
- Filter monitoring via differential pressure
- Positive overpressure in clean rooms
- Positive and negative pressure in isolation chambers
- Ideally for installations with space limitations

## Product Features

- Zero adjustment in front
- Simple mounting and removal
- Compact construction with a short case depth
- Scale ranges from 0.2 InWC (50 Pa) to 50 InWC (12,500 Pa)



Eco differential pressure gauge model A2G-05

## Specifications

### Design

Per EN 837-3 and HVAC regulations

### Nominal size in inches

4 1/2"

### Accuracy

± 3.0 % of full span

± 5.0 % of full span, ranges ≤ 0.5 InWC (125 Pa)

### Ranges

0 / 0.2 InWC (50 Pa) up to 0 / 50 InWC (12,500 Pa)

### Compound ranges

Starting from -0.1 / +0.1 InWC (-25/+25 Pa),

up to -6 / +6 InWC (-1,500 Pa...+1,500 Pa)

### Pressure units

InWC (standard)

Other available units: kPa, Pa, mmWC, cmWC, mmHg

### Pressure limitations

Steady: full-scale value

Fluctuating: full-scale value

### Overpressure Safety

80 InWC (20 kPa)

### Max working pressure (static pressure)

80 InWC (20 kPa)

### Temperature limits

Ambient: -22 °F... 176 °F (-30 °C... +80 °C)

Media: 3 °F...122 °F (-16 °C... +50 °C)

### Temperature error

Additional error when temperature changes from reference temperature of 68 °F (20 °C) ± 0.5% of span for every 1 8 °F (10 °K) rising or falling

### Ingress protection

NEMA 3 (IP 54 per EN 60529 / IEC 529)

## Standard version

### Process connection

Plastic, back-mounted

Two molded universal hose barb fittings, angled  
For 1/8" - 3/16" or 1/4" hose ID

### Separating diaphragm

Silicone rubber

### Movement

Frictionless magnetic transmission

### Dial

Aluminum white, scale of 90 degrees of angle

### Pointer

Black plastic

### Mounting ring

Plastic, including 3 mounting screws

### Window

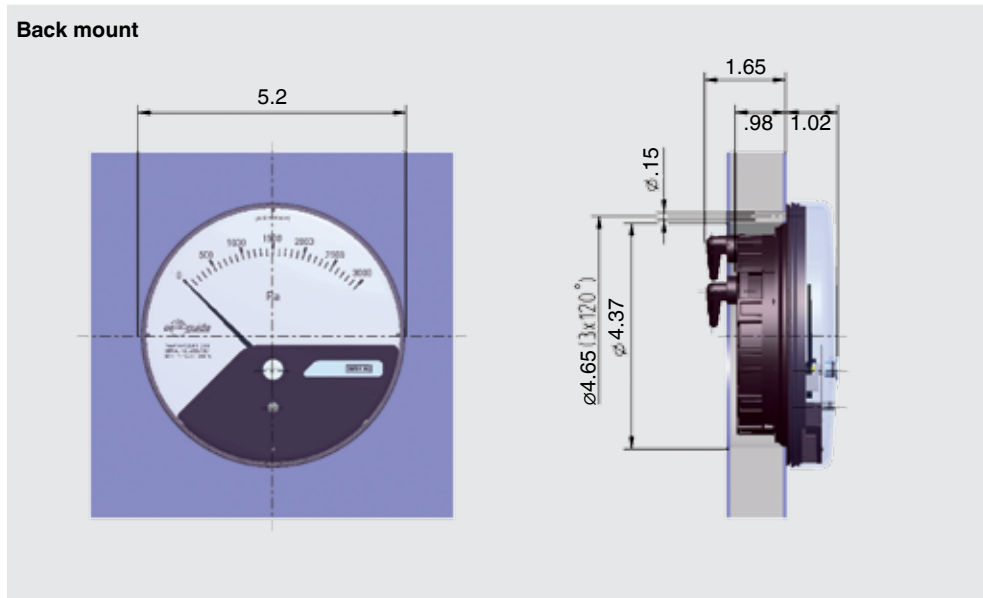
Polycarbonate, UV stabilized

## Options

- NEMA 4 (IP 65) ingress protection
- Red mark pointer
- Internationally recognized traceable calibration certificates
- Screw retained built-in version

## Dimensions in inches

### Standard version



## Ordering information

Model / Scale range / Options



**WIKA Instrument Corporation**  
1000 Wiegand Boulevard  
Lawrenceville, GA 30043-5868  
Tel: 888-WIKA-USA • 770-513-8200  
Fax: 770-338-5118  
E-Mail: [info@wika.com](mailto:info@wika.com)  
[www.wika.com](http://www.wika.com)