

Differential Pressure Transmitters Model A2G-50

WIKA Datasheet A2G-50



Applications

- Measuring the differential pressure of air and other non-combustible and non-aggressive gases
- Monitoring of air filters, fans, industrial cold air circuits, flows in ventilation ducts and to control the fire prevention flaps in fire shutters
- Monitoring of overpressure in clean rooms and laboratories

Special Features

- Eight selectable ranges in one instrument
- Easy installation
- Adjustable response time
- Zero reset button
- Compact, robust design
- Two output signals in one instrument
- Standard accessories

Description

Design

Electromagnetic compatibility per 89/336/EWG

Accuracy

±1.5 % (± 3% at factory set range -1.0/+1.0 InWC) of full span

Measuring ranges

Option 1: 0/10 InWC (factory set)

7 additional ranges to select from via jumper: -0.4 ... +0.4 InWC, 0 ... 0.4 InWC, 0 ... 1 InWC, 0 ... 2 InWC, 0 ... 4 InWC, 0 ... 6 InWC and 0 ... 8 InWC

Option 2: 0/28 InWC (factory set)

7 additional ranges to select from via jumper: 0 ... 4 InWC, 0 ... 6 InWC, 0 ... 8 InWC, 0 ... 10 InWC, 0 ... 12 InWC, 0 ... 16 InWC and 0 ... 20 InWC

Option 3: -1.0 ... +1.0 InWC (factory set)
Additional ranges to select from via jumper:
-0.1 ... +0.1 InWC, -0.2 ... +0.2 InWC,
-0.4 ... +0.4 InWC, 0 ... 0.1 InWC
0 ... 0.2 InWC, 0 ... 0.4 InWC and
0 ... 1 InWC

Maximum pressure

100 InWC

Operating temperature

Ambient: -4 ... +160 °F (-20 ... +70 °C)

Medium: -14 ... +122 °F (-5 ... +50 °C)

Ingress protection

NEMA 3 (IP 54 per EN 60 529 / IEC 529)

Weight

5.3 ounces



Differential pressure transmitter model A2G-50

Standard features

Process connection

Hose barb nozzles (ABS) for 4 mm / 6 mm hose ID

Measuring element

Piezo sensor

Zero point adjustment

Via push button inside the housing

Case

Plastic (ABS)

Electrical connection

Cable gland

Output signal

4 ... 20 mA, 3-wire

0 ... 10 V, 3-wire

Supply voltage

24 V AC or 24 V DC $\pm 10\%$

Long-term stability

0 ... 10 InWC ± 0.032 InWC/year

0 ... 28 InWC ± 0.096 InWC/year

-1.0 ... +1.0 InWC ± 0.012 InWC/year

± 0.04 InWC with automatic zero adjustment (optional)

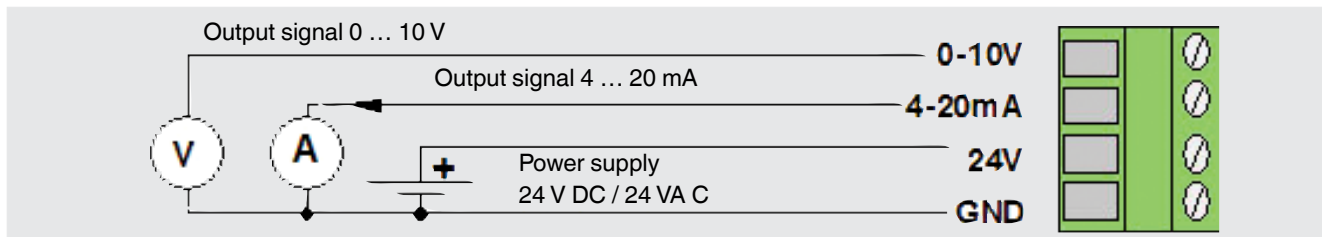
Standard accessories

- 2 mounting screws

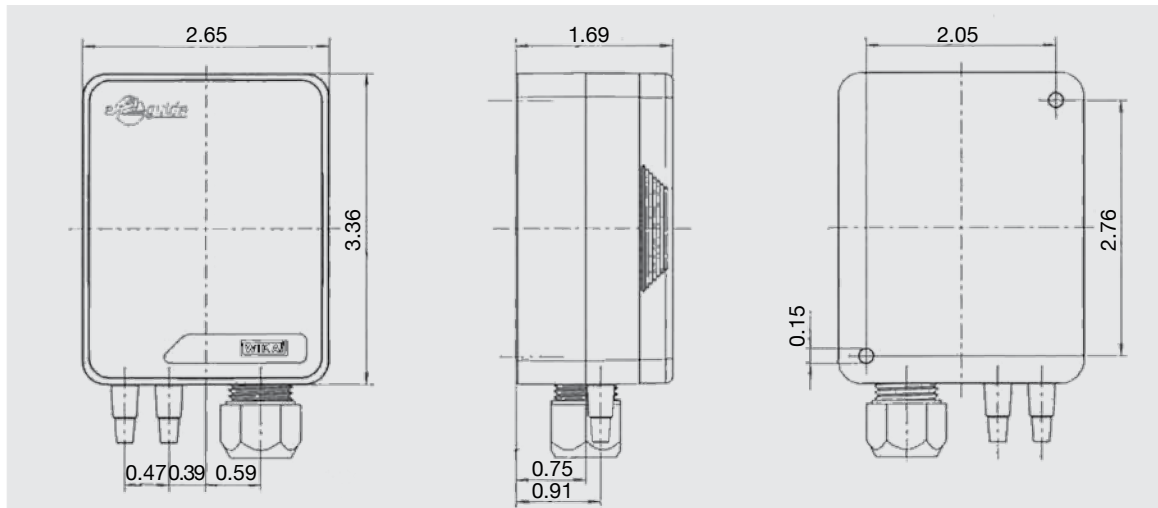
Options

- Automatic zero adjustment
- Digital display
- Two duct connectors
- 2 m PVC hose with 4 mm inner diameter

Wiring diagram



Dimensions in inches



Ordering Information

Model / Measuring range / Options

