

Bourdon Tube Pressure Gauges

Economical Stainless Steel Gauge

Type 132.53 - Dry Case

Type 133.53 - Liquid-filled Case

WIKA Data Sheet 13X.53

OBSOLETE

Applications

- With liquid filled case for applications with high dynamic pressure pulsations or vibration
- Suitable for corrosive environments and gaseous or liquid media that will not obstruct the pressure system
- Process industry: chemical/petrochemical, power stations, mining, on and offshore, environmental technology, mechanical engineering and plant construction

Product features

- All stainless steel construction
- Economical design
- Positive pressure ranges to 15,000 PSI (1000 bar)

Specifications

Design

ASME B40.100 & EN 837-1

Sizes

4" (100mm)

Accuracy class

± 3/2/3% of span (ASME B40.100 Grade B)

Ranges

Pressure from 30 psi (2 bar) to 15,000 psi (1,000 bar) or other equivalent units of pressure

Working pressure

Steady: 3/4 scale value
Fluctuating: 2/3 full scale value
Short time: full scale value

Operating temperature

Ambient: -40°F to +140°F (-40°C to +60°C) - dry
-4°F to +140°F (-20°C to +60°C) - glycerine filled
-40°F to +140°F (-40°C to +60°C) - silicone filled
Medium: +212°F (+100°C) maximum

Temperature error

Additional error when temperature changes from reference temperature of 68°F (20°C) ±0.4% of span for every 18°F (10°K) rising or falling.



Bourdon Tube Pressure Gauge Model 132.53 4" (100 mm)

Weather protection

Weather tight (NEMA 4X / IP66)

Pressure connection

Material: 316L stainless steel
Lower mount (LM)
1/4" or 1/2" NPT

Bourdon tube

Material: 316L stainless steel
≤ 1,000 PSI (70 bar): C-chape
> 1,000 PSI (70 bar): Helical

Movement

Stainless steel

Dial

White aluminum with black lettering

Pointer

Black aluminum, non-adjustable

Case

304 stainless steel with vent plug and SS polished crimp ring.
Case welded to pressure connection.

Window

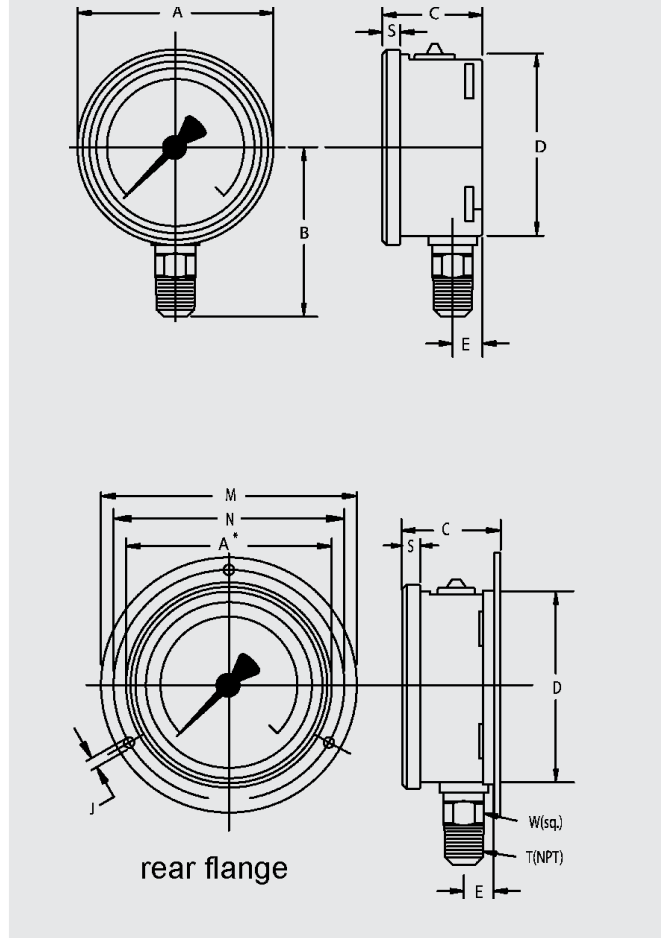
Polycarbonate with Buna-N gasket

Case fill

Glycerine 99.7% (Type 133.53)

Optional extras

- Other pressure connections
- Customer dial layout
- Rear flange, SS
- Stainless steel restrictor
- Silicone or Fluorolube case filling
- Other pressure scales available:
bar, kPa, mPa, Kg/cm² and dual scales

Dimensions

Size		A	B	C	D	E	J	M	N	S	T	W	Weight ¹
4"	mm	100	87	39	100	15.5	4.8	132	116	8		22	
	in	4	3.43	1.53	3.94	0.61	0.19	5.20	4.57	0.31	1/2"	0.87	1.10 lb.

¹ Weight without optional accessories**Ordering information**

Pressure gauge model / Nominal size / Scale range / Size of connection / Optional extras required
 Specifications and dimensions given in this leaflet represent the state of engineering at the time of printing.
 Modifications may take place and materials specified may be replaced by others without prior notice.

**WIKA Instrument Corporation**

1000 Wiegand Boulevard
 Lawrenceville, GA 30045
 Tel (770) 513-8200 Toll-free 1-888-WIKA-USA
 Fax (770) 338-5118
 E-Mail info@wika.com
 www.wika.com