

Ultra High Purity Transducer, Ex nA nL Models WU-20, WU-25 and WU-26

WIKA Datasheet WU-2X



Applications

- Gas panels for OEM tools
- Semiconductor, flat panel display and photovoltaic production
- Specialty and bulk-gas distribution

Special Features

- High accuracy pressure measurement 0.15% RSS (or 0.3% BFSL)
- Vacuum referenced pressure readings
- Excellent long term stability
- Signal noise cancellation and shielding
- 2.4711/UNSR 30003 thin film sensor
- Active temperature compensation
- Ingress protection (NEMA4 / IP67)
- ATEX Zone 2
- RoHS compliant
- Compact design

Standard Features

Reliable

The WU-2x series combines state of the art digital transducer concepts with analog-like output signals, in order to provide the safest and most accurate pressure measurements necessary for today's demanding market requirements.

Vacuum referenced pressure readings, integrated signal noise cancellation and shielding features ensure high accuracy pressure measurement and excellent long term stability. Active temperature compensation routines reduce the transducers impact to changing temperatures, allowing safer operations involving purge-vent cycling of high Joule-Thomson effect gases.

Flow through (WU-25) and surface mount (WU-26) series transducers are specifically designed and manufactured to sustain torsion applied stresses often incurred during installation. The special design of our thin film sensor eliminates the risk of sensor signal error due to influenced loads at the pressure connection or welded joints.



Fig. left Transducer WU-20, Single End
Fig. center Transducer WU-25, Flow Through
Fig. right Transducer WU-26, Modular Surface Mount

Versatile

The WU-2X can be readily installed in indoor or outdoor systems as well as in non-flammable or potentially flammable areas. Compliance to the most stringent standards (NEMA4, IP67, RoHS) improves install base flexibility and acceptance worldwide.

The hermetically sealed design of the WU-2X prevents entry of moisture when used outdoors. Non-incendive (ATEX) approvals for potentially flammable environments provide essential safeguards for life and product safety. A T6 temperature class designator complies to the highest measurement requirements for low, spontaneous ignition temperature medias (i.e., phosphine (PH3) and silane (SiH4)).

Compact

The ultra compact design of the WU-2X is the smallest product footprint in the market today. The space saving design easily replaces competitive transducers, making it the perfect fit for new equipment and retrofit projects.

Specifications

Models WU-20, WU-25 and WU-26

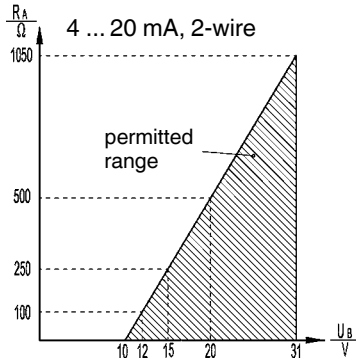
		WU-20 / WU-25												
		WU-26												
Pressure ranges	psi	14.5	25	60	100	160	250	350	500	1000	1500	2000	3000	5000
	bar	1	1.7	4	7	11	17	25	36	70	100	145	225	360
Over pressure safety 1)	psi	120	120	120	210	320	500	750	1100	2100	3000	4200	6600	10500
Burst pressure 1)	psi	1800	1800	1800	2200	2600	4800	6200	7400	8000	10500	10500	10500	10500
Other pressure ranges and pressure units (e.g. MPa, kg/cm ²) on request														
1) 1 psi = 0.069 bar														
Measuring principle	Metal thin film sensor													
Materials														
■ Wetted parts														
» Pressure Connection	316L VIM/VAR													
» Pressure sensor	2.4711 / UNSR 30003													
■ Case	304 SS													
Particle test	≤ 0.1 µm Particle 0.1 ptc / ft ³ according to Semi E49.8													
Inboard helium leak test	< 1 x 10 ⁻⁹ mbar l/sec (atm STD cc/sec) according to Semi F1													
Surface finish	Electropolished, typical Ra ≤ 0.13 µm (RA 5); max. Ra ≤ 0.18 µm (RA 7)													
	Exceeds Semi F19													
Dead volume	cm ³	WU-20 < 1.5, WU-25 < 1, WU-26 < 1												
Permissible Medium	Special gas / Vapor / Liquid													
Power supply U+	U+ in VDC	10 ... 31 V with output signal 0 ... 5 V / 4 ... 20 mA 14 ... 31 V with output signal 0 ... 10 V												
Signal output and maximum ohmic load RA	RA in Ohm	4 ... 20 mA, 2-wire RA ≤ (U+ - 10 V) / 0.02 A 0 ... 5 V, 3-wire RA > 5 k 0 ... 10 V, 3-wire RA > 10 k												
Power Pi	W	1												
Adjustability zero	% of span	-3.5 up to +3.5 (via potentiometer) Current output signal												
	% of span	-2 up to +3.5 (via potentiometer) Voltage output signal												
Response time (10 ... 90 %)	ms	≤ 300												
Insulation voltage	VDC	500												
Accuracy	% of span	≤ 0.15 (≤ 0.4 with pressure ranges ≤ 2 bar) RSS (Root Sum Squares) according to Semi # 3440 draft												
	% of span	≤ 0.3 (≤ 0.6 with pressure ranges ≤ 2 bar) BFSL												
Non-linearity	% of span	≤ 0.1 (≤ 0.15 for pressure ranges ≤ 2 bar) (BFSL) according to IEC 61298-2												
Hysteresis	% of span	≤ 0.14												
Non-repeatability	% of span	≤ 0.12												
1-year stability	% of span	≤ 0.25 typ. (at reference conditions)												
Permissible temperature of	non-ATEX T4 T5 T6													
■ Medium	-20...+100°C	-4...+212°F	-20...+85°C	-4...+185°F	-20...+60°C	-4...+140°F	-20...+40°C	-4...+104°F						
■ Ambience	-20...+85°C	-4...+185°F	-20...+85°C	-4...+185°F	-20...+60°C	-4...+140°F	-20...+40°C	-4...+104°F						
■ Storage	-40...+100°C	-40...+212°F	-40...+100°C	-40...+212°F	-40...+100°C	-40...+212°F	-40...+100°C	-40...+212°F						
Rated temperature range	-20 ... +80 °C / -4 ... +176 °F (active compensated)													
Temperature coefficients within rated temperature range (active compensated):														
■ mean TC of zero	% of span	≤ 0.1 / 10 K												
■ mean TC of range	% of span	≤ 0.15 / 10 K												
RoHS-conformity	Yes (not with bayonet connector)													
CE-conformity														
■ Pressure equipment directive	97/23/EC													
■ EMC directive	2004/108/EC, EN 61 326 Emission (Group 1, Class B) and Immunity (industrial locations)													
■ Directive ATEX of equipment intended for use in potentially explosive atmospheres	94/9/EC													
Ex-protection	ATEX	Category 2) 3G (for transducer with Ex-marking)												
Ignition protection type		II 3G Ex nA nL IIC T4/T5/T6 X (for transducer with Ex-marking)												
2) Read the operating conditions and safety-relevant data in the operating instruction in any case														

Specifications

Models WU-20, WU-25 and WU-26

Assembly and packing area		Clean room class 5 according to ISO 14644
Packaging		Double bagging according to SEMI E49.6
Shock resistance	g	500 (1.5 ms) according to IEC 60068-2-27
Vibration resistance		0.35 mm (10 - 58 Hz) / 5 g (58.1 - 2000 Hz) according to IEC 60068-2-6
Wiring protection		
■ Short-circuit		S+ towards U-
■ Reverse polarity		U+ towards U-
Weight	kg	Approx. 0.1

Signal output and allowed load



Current output (2-wire)

4 ... 20 mA:
 $RA \leq (U_+ - 10 \text{ V}) / 0.02 \text{ A}$

Voltage output (3-wire)

0 ... 5 V: $RA > 5 \text{ k}$
 0 ... 10 V: $RA > 10 \text{ k}$

with RA in Ohm and U+ in Volt

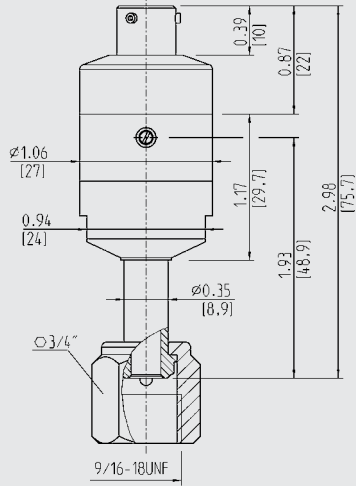
Electrical connections

	Bayonet connector, 4-pin	Circular connector M12x1, 4-pin	Flying leads, 3 m	Sub-D HD connector, 15-pin
	not possible with ATEX			not possible with ATEX
2-wire	U+ = A U- = D	U+ = 1 U- = 3	U+ = red U- = black	U+ = 7 U- = 5
3-wire	U+ = A U- = D S+ = B	U+ = 1 U- = 3 S+ = 4	U+ = red U- = black S+ = brown	U+ = 7 U- = 5 U- = 12 S+ = 2
Wire gauge	-	-	0.22 mm ² (AWG 24)	-
Diameter of cable	-	-	4.8 mm	-
Ingress Protection per IEC 60 529	NEMA 4 (IP 67)	NEMA 4 (IP 67)	NEMA 4 (IP 67)	(IP 54)

The ingress protection classes specified only apply while the pressure transmitter is connected with female connectors that provide the corresponding ingress protection.

Dimensions in inch [mm] WU-20

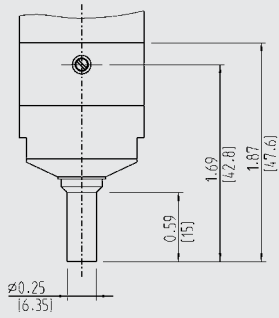
Bayonet connector



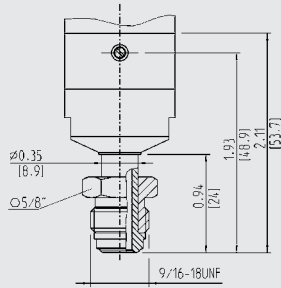
1/4" Swivel Female Face Seal

Process connection variants

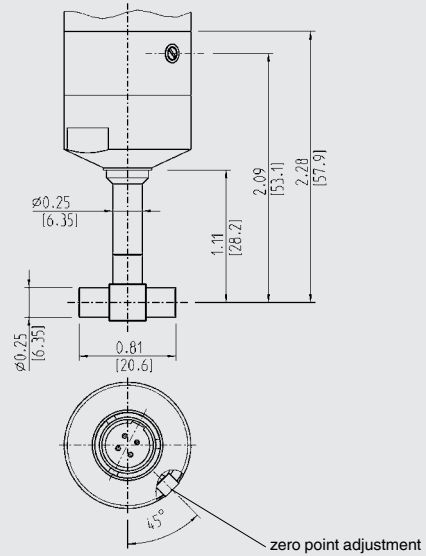
1/4" Weld Stub



1/4" Swivel Male Face Seal



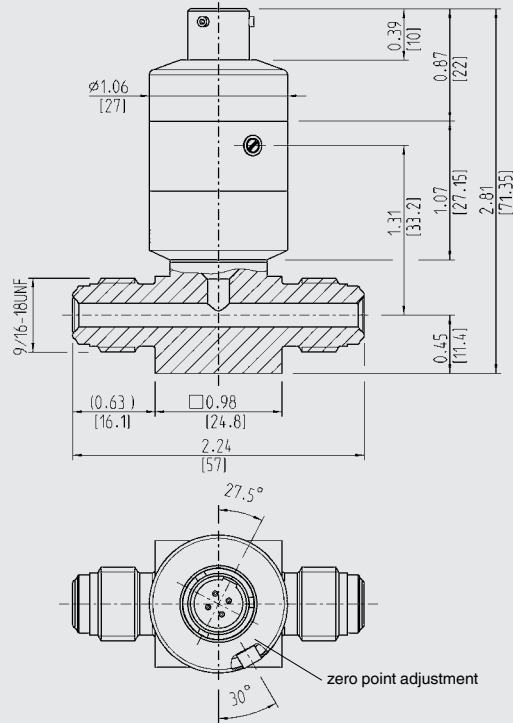
1/4" T-Connector, Weld Stub



Dimensions in inch [mm] WU-25

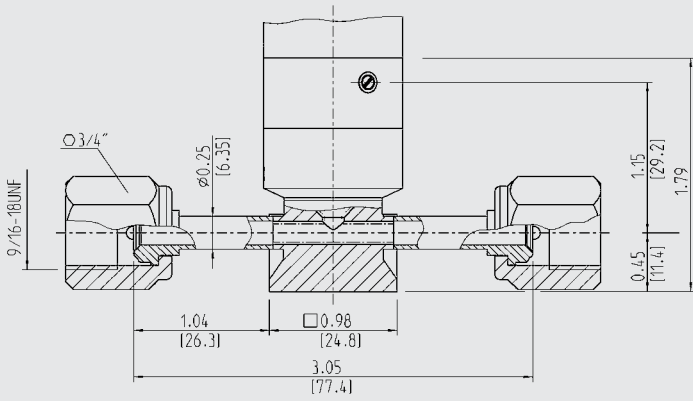
Bayonet connector

1/4" Fixed Male Face Seal
1/4" Fixed Male Face Seal

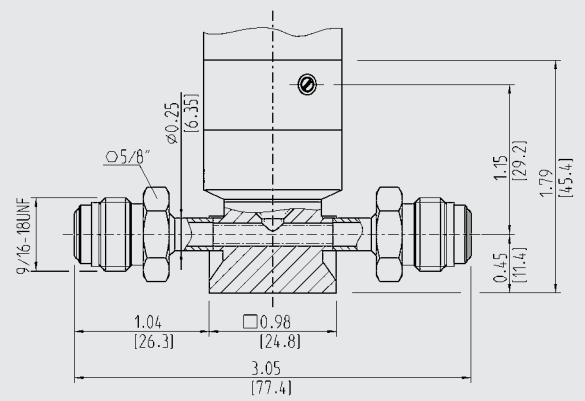


Process connection variants

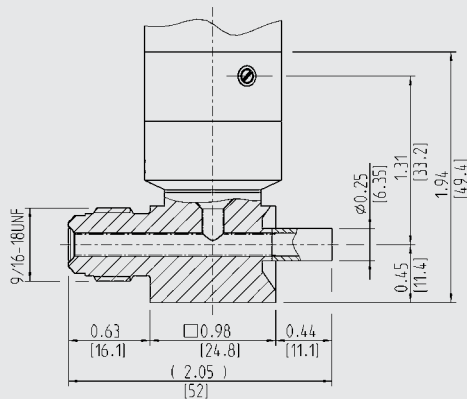
1/4" Swivel Female Face Seal
1/4" Swivel Female Face Seal



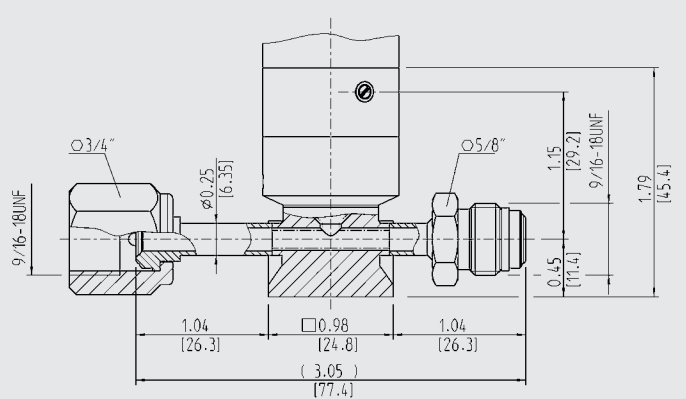
1/4" Swivel Male Face Seal
1/4" Swivel Male Face Seal



1/4" Fixed Male Face Seal High Flow Through
1/4" Fixed Male Face Seal High Flow Through
only available with pressure ranges up to 25 bar / 300 psi

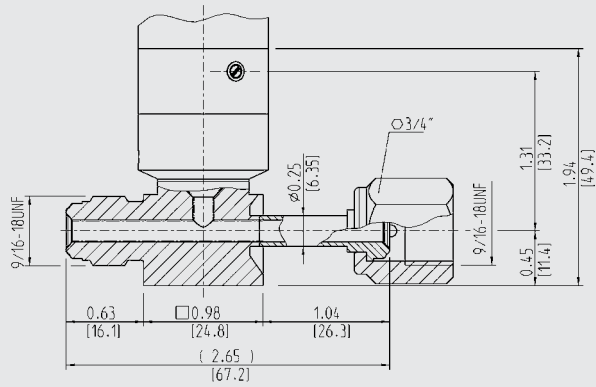


1/4" Swivel Femal Face Seal
1/4" Swivel Male Face Seal

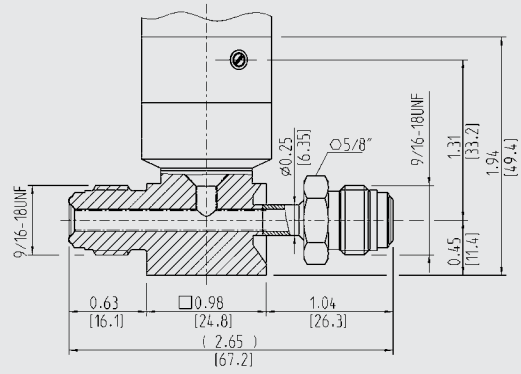


Process connection variants WU-25

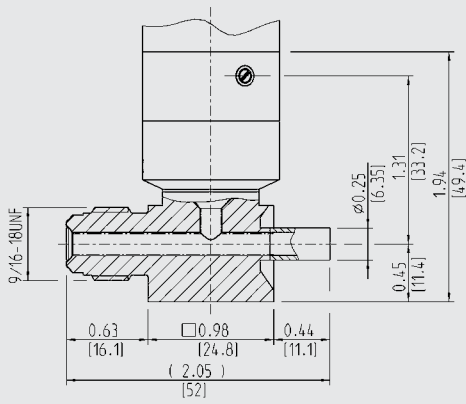
1/4" Fixed Male Face Seal
1/4" Swivel Female Face Seal



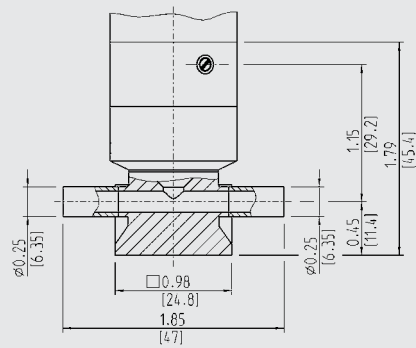
1/4" Fixed Male Face Seal
1/4" Swivel Male Face Seal



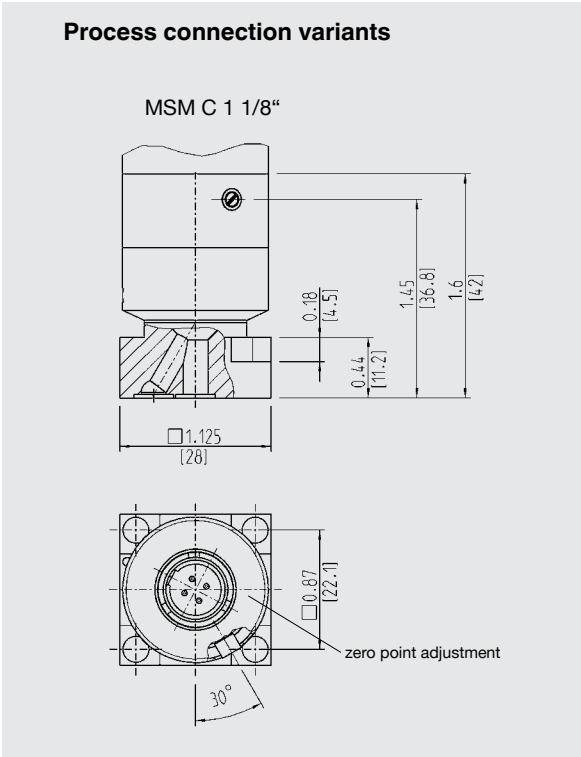
1/4" Fixed Male Face Seal
1/4" Weld Stub



1/4" Weld Stub
1/4" Weld Stub



Dimensions in inch [mm] WU-26



WU-2X Smart Codes for Custom Order Configurations

Field No.	Code	Feature	
1	Type		
	0	Process connection: single end	
	5	Process connection: flow through	
2	Signal Output		
	A	4 ... 20 mA, 2-wire	
	F	0 ... 10 V, 3-wire	
3	Dampening		
	Z	Without	
	Unit		
4	B	bar	
	p	psi	
	K	kg/cm ²	
	?	Other	
5	Absolute or relative pressure		
	G	gauge	
	V	compound	
	A	absolute	
Pressure Range			
320	0...2 bar gauge	-1...+1 bar gauge	
340	0...4 bar gauge	-1...+3 bar gauge	
370	0...7 bar gauge	-1...+6 bar gauge	
410	0...10 bar gauge	-1...+9 bar gauge	
416	0...16 bar gauge	-1...+15 bar gauge	
425	0...25 bar gauge		
440	0...40 bar gauge		
460	0...60 bar gauge		
510	0...100 bar gauge	-1...+100 bar gauge	0...1500 psia
516	0...160 bar gauge	-1...+160 bar gauge	
525	0...250 bar gauge	-1...+250 bar gauge	
540	0...400 bar gauge		
380		-1...+7 bar gauge	
426		-1...+25 bar gauge	
441		-1 ...+40 bar gauge	
461		-1 ...+60 bar gauge	
471		-1...+70 bar gauge	
339	0...4 kg/cm ² gauge		
359	0...6 kg/cm ² gauge		
398	0...10 kg/cm ² gauge		
439	0...40 kg/cm ² gauge		
459	0...60 kg/cm ² gauge		
498	0...100 kg/cm ² gauge		
520	0...200 kg/cm ² gauge		

WU-2X Smart Codes for Custom Order Configurations (continued)

Field No. Code Feature

Pressure range continued			
	321	0...30 psig	0...30 psia
	335	0...50 psia	
	341	0...60 psig 30 InHg...+45 psi	0...60 psia
	369	0...100 psig	0...100 psia
	411	0...160 psig	0...160 psia
	417	0...250 psig	0...250 psia
	421	0...300 psig	0...300psia
	434	0...500 psig	0...500 psia
	469	0...1000 psig	0...1000 psia
	514	0...2000 psig -30 InHg...+2000 psi	0...2000 psia
	521	0...3000 psig -30 InHg...+3000 psi	0...3000 psia
	534	0...5000 psig	0...5000 psia
	331	-30 InHg...+30 psi	
	351	-30 InHg...+60 psi	
	379	-30 InHg...+100 psi	
	412	-30 InHg...+160 psi	
	418	-30 InHg...+250 psi	
	422	-30 InHg...+300 psi	
	436	-30 InHg...+500 psi	
6	470	-30 InHg...+1000 psi	
Process connection			
	70	Original fixed male nut (9/16-UNF)	(FSFM)
	71	Original swivel male nut SS4-VCR-4	(FSM)
	72	Original female union nut S-VCR-1	(FSF)
	VN	¼" weld stub	
	WK	½" swivel male face seal	(FSM)
	WL	½" swivel female face seal	(FSF)
	WT	¼" T-Connector (0.87" version)	
	WP	½" T-Connector	
	WN	¾" T-Connector	
	WR	¼" T-Connector	
	WE	MSM C 1 ⅛" SQ	
7	WF	MSM W 1 ⅛"	
Outlet process connection			
	ZZ	Without	
	70	Original fixed male nut (9/16-UNF)	(FSFM)
	71	Original swivel male nut SS4-VCR-4	(FSM)
	72	Original female union nut S-VCR-1	(FSF)
	VN	¼" weld stub	
8	??	Other	

WU-2X Smart Codes for Custom Order Configurations (continued)

Field No.	Code	Feature
Electrical connection		
9	M4	Circular connector M12x1, 4-pin
	DL	Cable w/free ends
	O4	4-Pin bayonet connector
	TX	15-pin high density Sub-D plug
Cable length		
10	Z	Without
	E	3 m
	J	12 m
	?	Other
Approvals		
11	E	ATEX Ex. nA nL IIC 3G T4/T5/T6 X

Additional order info			
	YES	NO	
12	1	Z	quality certificates
13	Z	T	without

Order Code: 1 2 3 4 5 6 7 8 9 10 11 12 13*

WU-2X - - - - -

*Additional order details _____

Specifications and dimensions given in this leaflet represent the state of engineering at the time of printing. Modifications may take place and materials specified may be replaced by others without prior notice.



WIKA Instrument Corporation
 1000 Wiegand Boulevard
 Lawrenceville, GA 30043-5868
 Tel: 888-WIKA-USA • 770-513-8200
 Fax: 678-739-2569
 E-Mail: UHP@wika.com
 www.wika.com/UHP