

# Ultra High Purity Attachable LED Indicator, Nonincendive Model NWUR-1

WIKA Datasheet NWUR-1

## Applications

- Semiconductor and flat panel industry
- Microelectronic Technology
- Gas distribution systems  
(Gas sticks, gas panels, bulk-gas supply)

## Special features

- Top View or Front View
- Up to 2 Switch points freely programmable
- Ingress Protection IP 65
- 5 different units manually adjustable



Fig. left NWUR-1, Top View  
Fig. right NWUR-1, Front View

## Description

### Dynamic

An unique solution for a local display of the process pressure offers the attachable indicator model NWUR-1.

With this especially for the UHP-Market designed indicator a signal and freely adjustable switch points can be transmitted simultaneously.

Due to its universal programmability and simple mounting the attachable indicator can also be easily installed on pressure transmitters which are already in use. Its scale can be fully adjusted directly on site without master instrument.

Unit (psi, bar, kPa, MPa and kg/cm<sup>2</sup>), decimal point, display range, zero point and switch points can be adjusted via the control keys.

### Comfortable

Power is directly supplied by the 4 ... 20 mA-loop, i.e. no extra power supply is required.

### Practical

The seven millimeter high, red LED display is easy to read. In order to be able to adapt the indicator to the application, it is available in two different versions; Front View (connection to the transmitter at the bottom) or Top View (connection to the transmitter at the back).

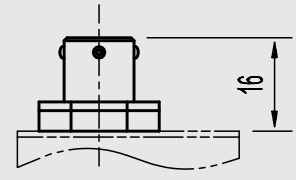
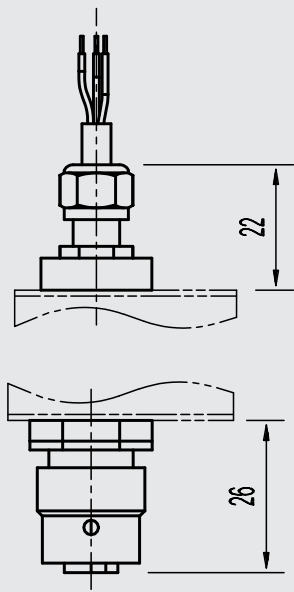
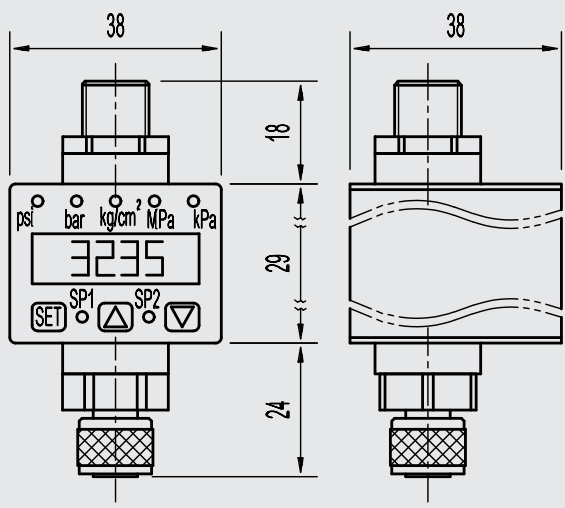


**Front View (connection to the transducer at the bottom)**

Circular connector  
M 12x1, 5-pin

Flying leads

MIL-connector,  
4-pin



Circular connector  
(female)  
M 12x1, 4-pin

MIL-connector (female),  
4-pin

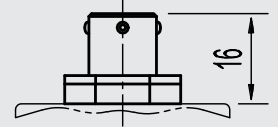
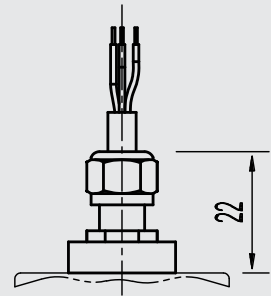
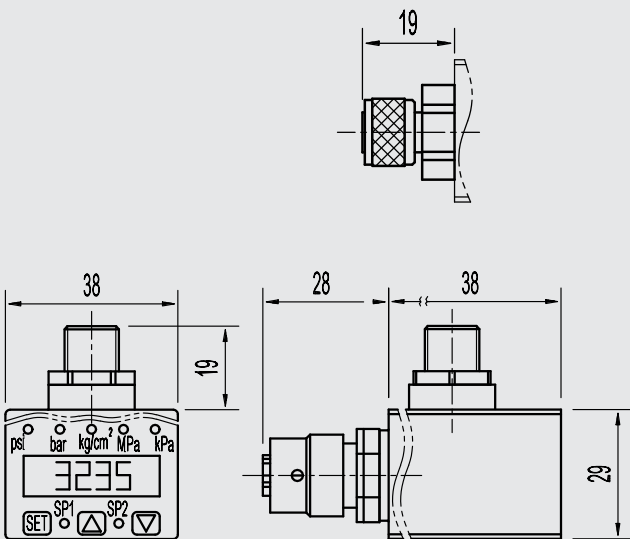
**Top View (connection of the transducer at the back)**

Circular connector  
M 12x1, 5-pin

Circular connector (female) M 12x1,  
4-pin

Flying leads


MIL-connector,  
4-pin



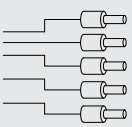
MIL-connector (female), 4-pin

Connector- Pin	2-wire Execution current	3-wire Execution voltage
----------------	-----------------------------	-----------------------------

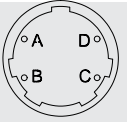
**Circular connector M 12x1, 5-pin**

	1	Power supply +UB, S+	Power supply +UB
	2	Switch out1	Switch out1
	3	Power supply 0V, S-	Power supply 0V, Switch ground, S-
	4	Switch ground (potential-free)	Signal S+
	5	Switch out2	Switch out2

**Flying leads**

	red	Power supply +UB, S+	Power supply +UB
	black	Power supply 0V, S-	Power supply 0V, Switch ground, S-
	yellow	Switch ground (potential-free)	Signal S+
	brown	Switch out1	Switch out1
	orange	Switch out2	Switch out2

**MIL-connector, 4-pin**

	A	Power supply +UB, S+	Power supply +UB
	B	Switch ground (potential-free)	Signal S+
	C	Switch out1	Switch out1
	D	Power supply 0V, S-	Power supply 0V, Switch ground, S-



Front View

Output

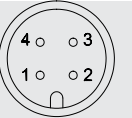


Top View

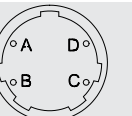
Input

Connector- Pin	2-wire Execution current	3-wire Execution voltage
----------------	-----------------------------	-----------------------------

**Circular connector (female) M 12x1, 4-pin**

	1	Power supply +UB, S+	Power supply +UB
	2	--	--
	3	Power supply 0V, S-	Power supply 0V, S-
	4	--	Signal S+

**MIL-connector (female), 4-pin**

	A	Power supply +UB, S+	Power supply +UB
	B	--	Signal S+
	C	--	--
	D	Power supply 0V, S-	Power supply 0V, S-

Display Position	Electrical Connection		Signal	Part No.
	Input	Output		
<b>Front View</b>	M 12 x 1	M12 x 1	4 ... 20mA, 2-wire	7238183
<b>Front View</b>	Mil (bendix)	Mil (Bendix)	4 ... 20mA, 2-wire	7284122
<b>Top View</b>	M 12 x 1	M12 x 1	4 ... 20mA, 2-wire	7216461
<b>Top View</b>	Mil (bendix)	Mil (Bendix)	4 ... 20mA, 2-wire	7284300



**WIKA Instrument Corporation**

1000 Wiegand Boulevard  
 Lawrenceville, GA 30043  
 Tel (770) 513-8200 Toll-free 1-888-WIKA-USA  
 Fax (770) 338-5118  
 E-Mail [info@wika.com](mailto:info@wika.com)  
[www.wika.com](http://www.wika.com)