

UHP Flow-Through-Gauge Diaphragm Pressure Gauge, Nominal Size 1 1/2" Type 432.25 - 1 1/2" Diameter

WIKA Datasheet 432.25B

Applications

- Suitable for gaseous, liquid and corrosive media, also in a corrosive environment, for demanding high purity applications.
- Semiconductor and flat panel industry
- Gas distribution systems
- Medical gases
- Hook-up application

Special features

- No dead volume in the pressure gauge
- Low internal volume for reducing particle generation and entrapment
- Compact design
- Helium leak tested, leak rate $\leq 10^{-9}$ mbar 1/s
- Electro-polished internals and case, internal surface finish $R_a \leq 0.25\mu\text{m}$

Standard Features

Sizes

1 1/2" (33 mm)

Accuracy class

Grade C according to ASME B40.100

Ranges

-30 inHg ... +60 psi

-30 inHg ... +130 psi

or other equivalent units of pressure or vacuum

Operating temperature

Ambient: -15°F ... 140°F (-10°C ... 60°C)

Media: 140°F (+60°C) maximum

Pressure connection

Fixed male 9/16-18 UNF



UHP Flow-Through-Gauge, Type 432.25 - 1 1/2"

Pressure element

Material: Inconel

Dial

White aluminum with black lettering

Pointer

Black aluminum

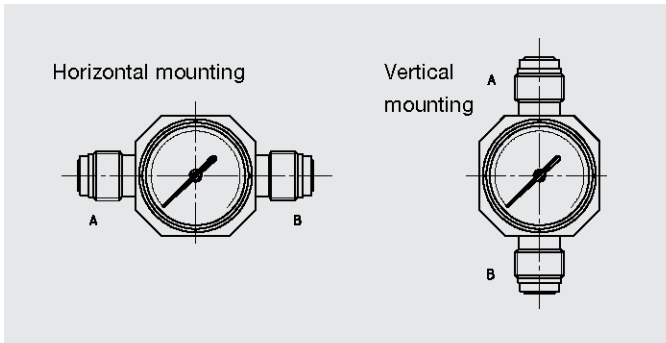
Case

316L stainless steel, electro-polished

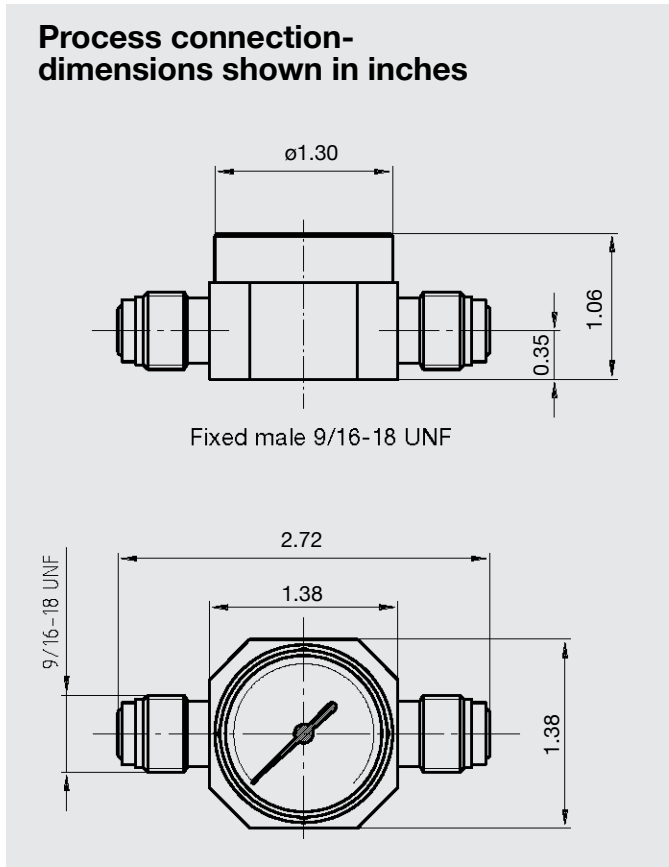
Window

One-piece polycarbonate

Mounting Position



Process connection- dimensions shown in inches



Ordering information

Pressure gauge model / Nominal size / Scale range / Size of connection / Optional extras required
Specifications and dimensions given in this leaflet represent the state of engineering at the time of printing.
Modifications may take place and materials specified may be replaced by others without prior notice.



WIKAI Instrument Corporation
1000 Wiegand Boulevard
Lawrenceville, GA 30043
Tel (770) 513-8200 Toll-free 1-888-WIKA-USA
Fax (770) 338-5118
E-Mail info@wika.com
www.wika.com