

# UHP Flow-Through-Gauge (FTG) Diaphragm Pressure Gauge, Nominal Size 1 1/8" Type 432.25

WIKA Datasheet 432.25A

## Applications

- Suitable for gaseous, liquid and corrosive media, also in a corrosive environment, for demanding high purity applications.
- Semiconductor and flat panel industry
- Gas distribution systems
- Medical gases
- Hook-up application

## Special Features

- No dead volume in the pressure gauge
- Low internal volume for reducing particle generation and entrapment
- Compact design
- Helium leak tested, leak rate  $\leq 10^{-9}$  mbar · l/s
- Electropolished internals and case, internal surface finish Ra  $\leq 0.25\mu\text{m}$

## Standard Features

### Sizes

1 1/8" (28.5 mm)

### Accuracy class

Grade C according to ASME B40.1

### Ranges

-30 inHg ... 60 psi

-30 inHg ... 130 psi

### Operating temperature

Ambient: -10°F... 140°F (-10°C ... 60°C)

Media: 140°F (+60°C) maximum

### Pressure connection

Modular surface mount (MSM), C-seal



UHP Flow-Through-Gauge, Type 432.25 - 1 1/8"

### Pressure element

Inconel

### Dial

White aluminum with black lettering

### Pointer

Black aluminum

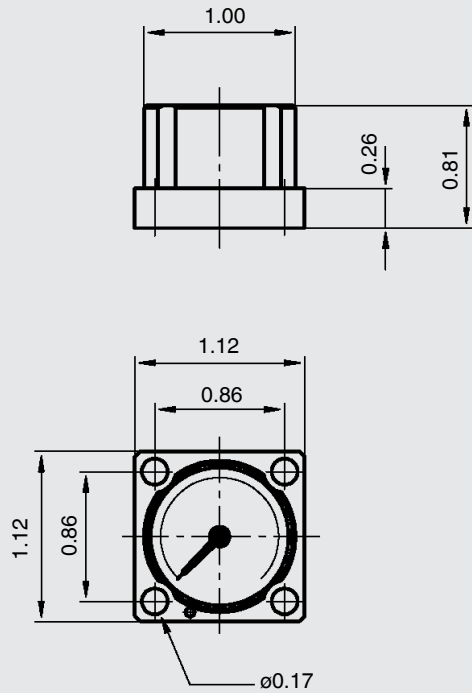
### Case

316L SS, electro-polished

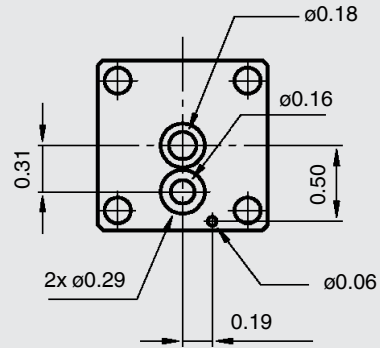
### Window

One-piece polycarbonate

Dimensions shown in ”



Modular Surface Mount with C-seal



**WIKA Instrument Corporation**  
1000 Wiegand Boulevard  
Lawrenceville, GA 30043-5868  
Tel: 888-WIKA-USA • 770-513-8200  
Fax: 678-739-2569  
E-Mail: UHP@wika.com  
www.wika.com/UHP