

Bourdon Tube Pressure Gauges

Paper Machine Gauge

Type 212.40PM - Dry Case

Type 213.40PM - Liquid-filled Case

WIKA Datasheet 21X.40PM

Applications

- With liquid filled case for applications with high dynamic pressure pulsations or vibration
- Paper machines and hydraulic presses
- Suitable for gaseous or liquid media that will not obstruct the pressure system

Special features

- Excellent load-cycle stability and shock resistance
- Front flange for panel mounting
- Solid forged-brass case and connection

Standard Features

Design

ASME B40.100 & EN 837-1

Sizes

3½" (80 mm)

Accuracy class

± 2/1/2% of span (ASME B40.100 Grade A)

Ranges

Vacuum / Compound to 200 psi
Pressure from 15 psi to 15,000 psi
or other equivalent units of pressure or vacuum

Working pressure

Steady: 3/4 scale value
Fluctuating: 2/3 full scale value
Short time: full scale value

Operating temperature

Ambient: -40°F to +140°F (-40°C to +60°C) - dry
-4°F to +140°F (-20°C to +60°C) - glycerine filled
Medium: max. +140°F (+60°C) ≤ 1,000 psi
max. +212°F (+100°C) ≥ 1,500 psi

Temperature error

Additional error when temperature changes from reference temperature of 68°F (20°C) ±0.4% for every 18°F (10°C) rising or falling. Percentage of span.



Bourdon Tube Pressure Gauge Model 212.40PM

Weather protection

Weather resistant (NEMA 4 / IP 54)

Pressure connection

Material: copper alloy
1/4" NPT lower back mount (LBM)

Bourdon tube

Material: copper alloy
≤ 1,000 PSI: C-type, soldered
≥ 1,500 PSI: helical type, brazed

Movement

Copper alloy

Dial

White aluminum with black lettering

Pointer

Black aluminum

Case

Gold-painted forged brass with integral connection and blowout plug with polished stainless steel front flange. Suitable for liquid filling

Window

Acrylic with Buna-N gasket

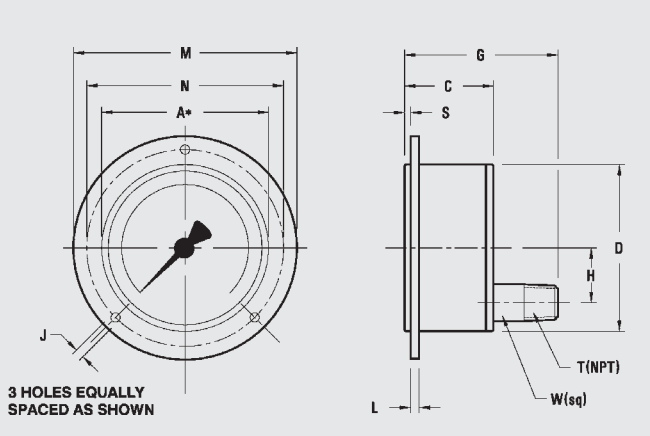
Case fill

Glycerine 99.7% - Type 213.40PM

Optional extras

- Brass restrictor
- Flat glass or safety glass window
- Silicone or Fluorolube case filling
- Special connections limited to wrench flat area
- Custom dial layout
- Other pressure scales available
bar, kPa, MPa, kg/cm² and dual scales

Dimensions



Size		A	C	D	G	H	J	L	M	N	S	T	W	Weight	
3.5"	mm	80	40	80	65	23	4.8	2	127	112	2.5		22	1.47 lb.	dry
	in	3.5	1.57	3.15	2.56	0.91	0.19	0.08	5.0	4.41	0.10	1/4"	0.87	2.25 lb.	filled

Recommended panel cutout is dimension D + 1 mm

Ordering information

Pressure gauge model / Nominal size / Scale range / Size of connection / Optional extras required
Specifications and dimensions given in this leaflet represent the state of engineering at the time of printing.
Modifications may take place and materials specified may be replaced by others without prior notice.



WIKAI Instrument Corporation
1000 Wiegand Boulevard
Lawrenceville, GA 30045
Tel (770) 513-8200 Toll-free 1-888-WIKA-USA
Fax (770) 338-5118
E-Mail info@wika.com
www.wika.com