

Model PG43SA, Stainless Steel Series

Diaphragm Pressure Gauges

For Sanitary Applications

WIKA Datasheet PG43SA

Applications

- For gaseous and liquid aggressive media that are highly viscous or crystallizing, also in aggressive ambience
- Process industry: Biopharmaceutical, tank and vessel construction, pharmaceutical, beverage and cosmetic

Special Features

- Dry measuring cell, no fluid behind diaphragm
- Flush, welded diaphragm
- Quick cleaning of measuring point, without residue, autoclavable (sterilisable)
- Suitable for SIP and CIP
- Patent applied for, among others European Patent No. DE 102008042455

Description

Nominal case size

1½" (40 mm), 2½" (63 mm)

Accuracy class

(2½") 1.6% of span

(1½") 2.5% of span

Scale ranges

0 ... 45 psi up to 0 ... 145 psi

or all other equivalent vacuum or combined pressure and vacuum ranges

Pressure limitation

Steady: 3/4 x full scale value

Fluctuating: 2/3 x full scale value



2½" Case



1½" Case

Diaphragm Pressure Gauge Model PG43SA

Overpressure safety

5 x full scale value, (or maximum clamp rating)

Operating temperature

Ambient: -20 ... +60 °C

Medium: +150 °C maximum

When autoclaving: 134 °C, 32 psig steam, 20 minutes

Temperature effect

When the temperature of the measuring system deviates from the reference temperature (+20 °C):
max. ±2 %/10 °C of full scale value

Ingress protection

IP 68 per EN 60 529 / IEC 529

Standard Version

Process connection

Stainless steel 316L, 1½" and 2½" Tri-clamp®,
Surface finish, Ra 15 µ"

Measuring diaphragm

Diaphragm, Inconel 718

Movement

Cu-alloy

Dial

Aluminium, white, black lettering

Pointer

Aluminium, black

Case

Stainless steel 316L (1.4435), surface finish Ra ≤ 32 µ"

Window

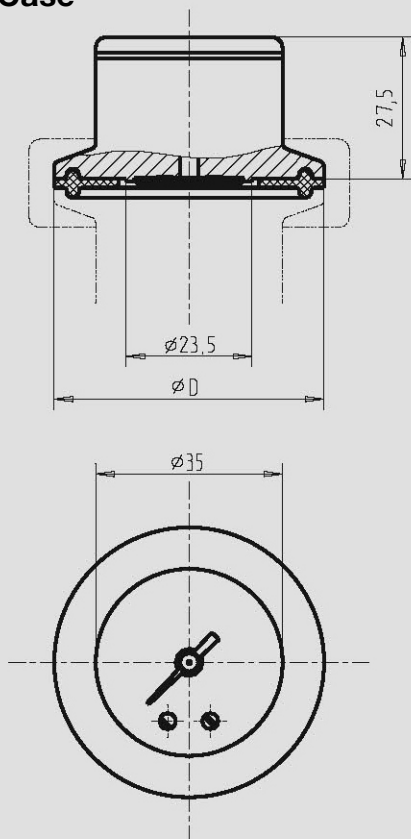
Polysulfone, high temperature resistant

Options

- Additional process connections
- Material certifications
- Calibration certifications

Dimensions (mm)

1½" Case



2½" Case

