



Diaphragm-Type Diaphragm Seal

All-Welded Diaphragm Flanged Diaphragm Seal

Type L990.FB

Diaphragm Seals

Application

Process industry diaphragm seal to combine with Bourdon tube pressure gauges. Intended for corrosive, contaminated, hot or viscous pressure media.

Design

Internal welded diaphragm with threaded process connection; requires hydraulic fluid to transmit pressure to the instrument

Process Connection

1/2" to 2" per ASME B16.5

Instrument Connection

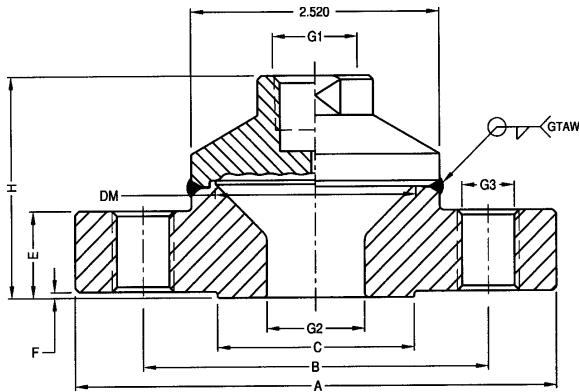
Capillary, 1/4" or 1/2" NPT-female

Suitable Pressure Ranges

15 psi to Class 600

Available Options (connections, materials, flushing ports, etc.)

See Selection Guide (over)



G1: INSTRUMENT CONNECTION
 G2: PROCESS CONNECTION
 ALL DIMENSIONS IN INCHES UNLESS OTHERWISE NOTED

| G1 | G2 | G3 | A | B | C | DM | E | F | H | WEIGHT |
|--------------------------|-----------|--------------|------|------|------|------|------|------|------|--------|
| | | | | | | | | | | lbs |
| 1/4"NPT OR 1/2"NPT | 1/2" 150# | 4x1/2"-13UNC | 3.50 | 2.38 | 1.38 | 2.1 | 2.44 | 0.06 | 2.20 | 4.3 |
| | 1/2" 300# | 4x1/2"-13UNC | 3.75 | 2.62 | | | 2.44 | 0.06 | 2.20 | 4.3 |
| | 1/2" 600# | 4x1/2"-13UNC | 3.75 | 2.62 | | | 2.60 | 0.25 | 2.36 | 4.4 |
| | 1" 150# | 4x1/2"-13UNC | 4.25 | 3.12 | 2.21 | | 0.06 | 1.97 | 4.4 | |
| | 1" 300# | 4x5/8"-11UNC | 4.88 | 3.50 | 2.21 | | 0.06 | 1.97 | 8.5 | |
| | 1" 600# | 4x5/8"-11UNC | 4.88 | 3.50 | 2.60 | | 0.25 | 2.36 | 8.5 | |
| | 2" 150# | 4x5/8"-11UNC | 6.00 | 4.75 | 3.62 | 2.21 | 0.06 | 1.97 | 6.1 | |
| | 2" 300# | 8x0.75 | 6.50 | 5.00 | | 2.23 | 0.06 | 1.99 | 8.5 | |
| | 2" 600# | 8x0.75 | 6.50 | 5.00 | | 2.62 | 0.25 | 2.38 | 10.0 | |

DWG.#2212277-5

To determine the effects of temperature and response time in a specific application, contact the factory for an **Application Questionnaire**. The information provided will allow WIKA Technical Support to accurately model your application parameters using state-of-the-art computer simulation techniques.

ACS L990.FB
 (ACS 99.01F)

Selection Guide - Type L990.FB

L990.FB1/4X1.0-150R,SS,SS-0, SS,NA

Gasket Material
NA=None

Diaphragm Material

SS=316 stainless steel
MO = Monel® 400 (See note 3)
HB = Hastelloy® B-2
HC = Hastelloy® C-276

Flushing Connection

0 = None
1 = 1/8" NPT female
2 = 1/4" NPT female

Lower Housing Material

SS=316 stainless steel
MO = Monel® 400
HB = Hastelloy® B-2
HC = Hastelloy® C-276

Upper Housing Material

SS=316 stainless steel

Flange Rating (Other facings available)

150R = 150#RF
300R = 300#RF
600R = 600#RF
XXXX = Other (Define flange connection on purchase order)

Process Connection (per ASME B16.5)

1.0 = 1" Pipe
1/2 = 1/2" Pipe
3/4 = 3/4" Pipe
1.5 = 1.5" Pipe
2.0 = 2" Pipe

Instrument Connection

1/4 = 1/4" NPT female
1/2 = 1/2" NPT female
CPL = Capillary connection (To weld capillary directly to seal, see note 2)

Diaphragm Seal Design

L990.FB = All welded design (See note 1)

Notes

1. Available with 316 stainless steel upper housing and 316 stainless steel or Hastelloy® C-276 lower housing and diaphragm only.
2. Capillary connection requires a stainless steel upper housing.
3. Seal complete (Monel)

Options not listed may be available, please consult factory.
Fill Fluid & Mounting options: Please reference data sheet ACS 99.MO.

THE MEASURE OF
Total Performance™

Ordering Information:

State computer part number (if available) / type number / size / range / connection size and location / options required.

Specifications given in this price list represent the state of engineering at the time of printing.
Modifications may take place and the specified materials may change without prior notice

05/05



WIKAI Instrument Corporation

1000 Wiegand Boulevard

Lawrenceville, Georgia 30043-5868

Tel: 770-513-8200 Fax: 770-338-5118

http://www.wika.com e-mail: chemseal@wika.com